

INSTALLATION INSTRUCTIONS

545003 – DUST CONTROL KIT- 20” ORBITAL FLOOR MACHINE

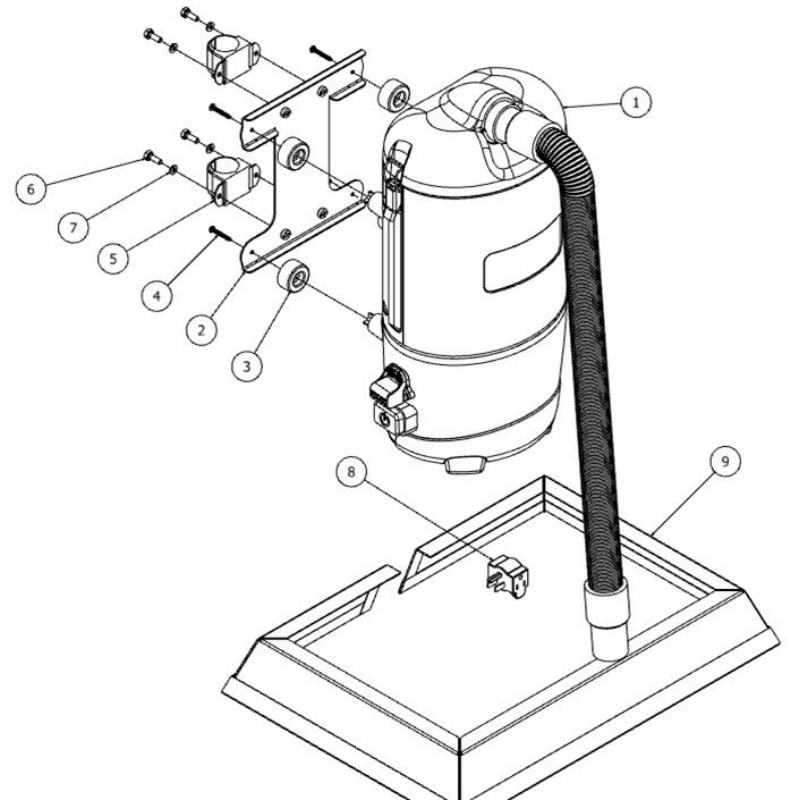
TOOLS REQUIRED

CLEAN DRY CLOTH

MEDIUM PHILIPS HEAD SCREW DRIVER

7/16” SOCKET WRENCH OR OPEN END WRENCH

ITEM	DUST CONTROL KIT 20” ORBITAL	545006	QTY
1	VACUUM		1
2	BRACKET ADAPTER VACUUM	546101	1
3	SPACER RUBBER	858205	4
4	SCREW PHP #10-14 X 1.0 TYPE F	962473	4
5	CLAMP U-SHAPED	542002	2
6	SCREW	W189D	4
7	WASHER LOCK	980002	4
8	ADAPTER GROUNDED 2-WAY UL	540201	1
9	SKIRT DUST 14X20	548501	1

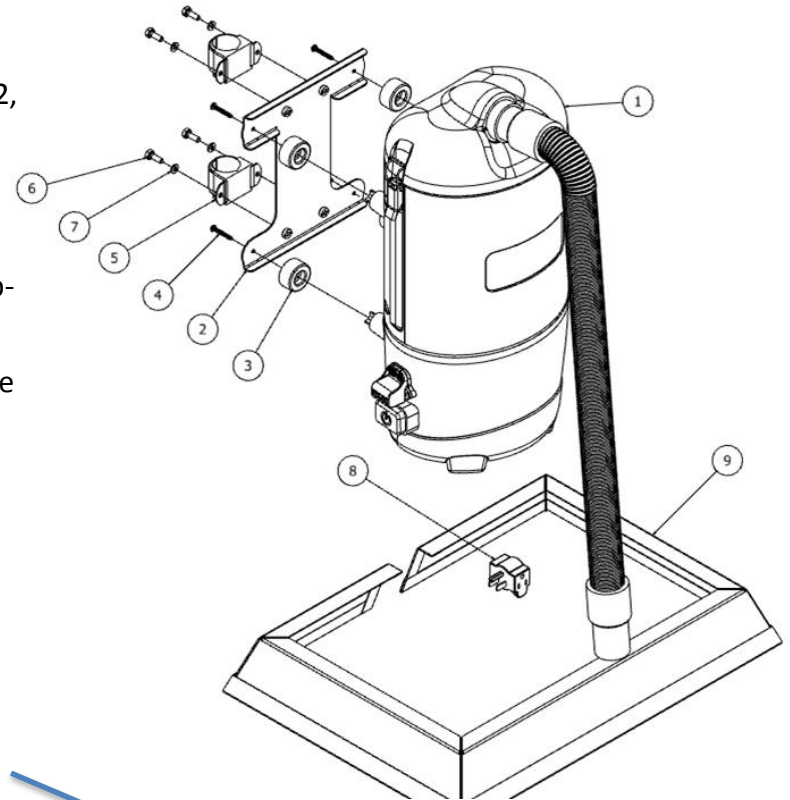


INSTALLATION INSTRUCTIONS

545003 – DUST CONTROL KIT- 20” ORBITAL FLOOR MACHINE

STEP INSTRUCTIONS

- 1 Assemble the bracket and rubber bumpers (items 1, 2, 3 & 4). Be careful to not over-torque the screws.
- 2 Place both clamps (item 5) on the handle of the machine.
- 3 Use hardware (items 6 & 7) to attach the vacuum sub-assembly to the clamps on the handle.
- 4 Ensure the vacuum is positioned to allow the machine handle to rest in it's fully upright position.
- 5 Use the cloth to clean the top perimeter of the steel machine base.
- 6 Remove the adhesive backing on the Velcro™ part of the dust skirt (item 9).
- 7 Adhere the Velcro™ to the full perimeter of the machine base with the seam in the back.
- 8 Keep an approximate 2” gap in the back seam of the skirt.
- 9 Insert electrical adapter (item 8) between the motor plug and the cord extending from the bottom of the handle.



PACIFIC™
FLOORCARE