

PACIFIC

SEARAY LOW MOISTURE POLISHER/SCRUBBER

INTRODUCTION

OPERATING & MAINTENANCE INSTRUCTIONS

READ THIS BOOK

This operator's book has important information for the use and safe operation of this machine. Read this book carefully before starting the machine. Keep this book and tell all operators to read the book. If you do not follow the instructions, you can cause an injury or damage equipment, furniture or buildings.

For new books write to:
Pacific Floor Care
2259 South Sheridan Road
Muskegon, MI 49442

Carefully inspect all components to ensure that there is no concealed freight damage. If such damage is discovered, file a "CONCEALED DAMAGE REPORT" immediately with the delivering carrier.

The contents of this manual are based on the latest product information available at the time of publication. **Pacific** reserves the right to make changes or improvements to its machines without notice.

FOR YOUR CONVENIENCE, RECORD THE MACHINE MODEL AND SERIAL NUMBER:

MODEL _____

SERIAL NUMBER _____

PART NUMBER _____

DATE PURCHASED _____

IMPORTANT SAFETY INSTRUCTIONS

To assure the safe operation of this machine, you must read and understand all warnings and instructions in this book. If you do not understand, ask your supervisor.

READ ALL INSTRUCTIONS BEFORE USING THIS MACHINE

WARNING: To reduce the risk of fire, electric shock, or injury:

1. You must be trained to operate this machine. This machine is to be operated for its intended use only.
2. Do not operate this machine unless it is completely assembled.
3. Always use a three-wire electrical system connected to the electrical ground. For maximum protection against electrical shock, use a circuit that is protected by a ground fault circuit interrupter. Consult your electrical contractor.
4. To prevent electric shock, always remove the electrical plug from the electrical outlet before doing any repairs or maintenance and when leaving the machine unattended.
5. To prevent electric shock, keep the machine surface dry. Do not subject to rain. Store the machine in a dry building area. Clean the machine with a dry cloth only.
6. Machines can cause an explosion when near flammable materials and vapors. Do not use this machine with or near fuels, grain dust, solvents, thinners, or other flammable materials. Do not use flammables to clean this machine.
7. A qualified or authorized person must do maintenance and repairs.
8. To prevent damage to the power cord, do not move this machine over the power cord. Always lift the power cord over the machine. Do not pull or carry cord, use cord as a handle, close a door on cord, or pull cord around sharp edges or corners. Keep cord away from heated surfaces.
9. Do not use with damaged cord or plug. If the machine is not working as it should, has been dropped, damaged, left outdoors, or dropped into water, return it to a service center.

Grounding Instructions

This machine must be grounded. If it should malfunction or break down, grounding provides a path of least resistance for electric current to reduce the risk of electric shock. This machine is equipped with a cord having an equipment-grounding conductor and grounding plug. The plug must be inserted into an appropriate outlet that is properly installed and grounded in accordance with all local codes and ordinances.

WARNING - Improper connection of the equipment-grounding conductor can result in a risk of electric shock. Check with a qualified electrician or service person if you are in doubt as to whether the outlet is properly grounded. Do not modify the plug provided with the machine - if it will not fit the outlet, have a proper outlet installed by a qualified electrician.

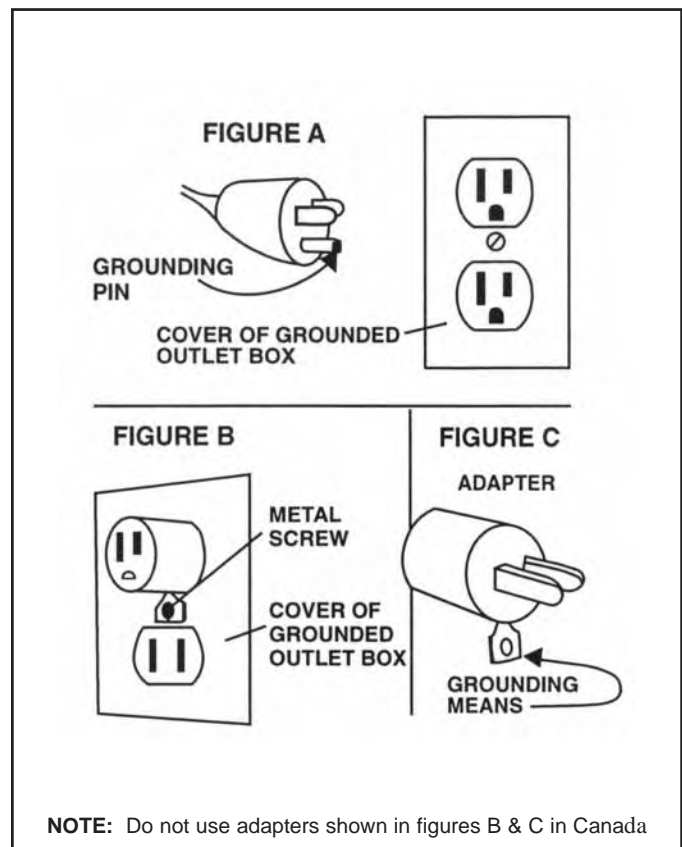
This machine is for use on a nominal 120-volt circuit, and has a grounded plug that looks like the plug illustrated in figure A. A temporary adapter that looks like the adapter illustrated in figures B and C may be used to connect this plug to a 2-pole receptacle as shown in figure B if a properly grounded outlet is not available. The temporary adapter should be used only until a properly grounded outlet (figure A) can be installed by a qualified electrician. The green colored rigid ear, lug, or the like extending from the adapter must be connected to a permanent ground such as a properly grounded outlet box cover. Whenever the adapter is used, it must be held in place by a metal screw.

NOTE: In Canada, the use of a temporary adapter is not permitted by the Canadian Electrical Code

EXTENSION CORDS

Use only three-wire 12/3 or larger gauge approved extension cords that have three-prong grounding type plugs and three-pole receptacles that accept the appliance's plug. Replace or repair any damaged cords or plugs.

When servicing, refer to authorized person only. Use only identical replacement parts.



OPERATING PROCEDURES

WARNING! For the safe operation of this machine follow the instructions given in this manual and the training given by your supervisor. Failure to do so can result in personal injury and/or damage to machine and property!

DO NOT OPERATE MACHINE IN AN EXPLOSIVE ENVIRONMENT!

This machine is intended for commercial use.

PREPARATION

To prepare the machine for operation, make sure it is of correct voltage and properly assembled.

Your new floor machine operates in the normal side to side motion of a conventional single disc machine. Be prepared before starting by removing all obstructions or other obstacles in the area to be cleaned. Check the proper application recommendations and procedures found on the label of your cleaning chemical container. **IF IN DOUBT, CALL YOUR SUPERVISOR.**

WARNING! NEVER USE THIS MACHINE WITH FLAMMABLE OR EXPLOSIVE MATERIAL!

For Scrubbing: Select the correct floor pad or brush (your supplier can help you). If in doubt, ask your supervisor.

For Bonnet Cleaning: Attach the carpet bonnet to the pad driver. Follow the instructions on the label of your cleaning chemical bottle for procedural instructions.

NEVER OPERATE THE MACHINE WITHOUT THE FLOOR PAD OR BRUSH INSTALLED!

To properly attach the brush or pad driver, **UNPLUG THE FLOOR MACHINE**, place the handle in the vertical position, then tilt the machine back until the handle rests on the floor. Straddle the handle, facing the motor, and grasp the brush with the block toward you. Place the brush or pad clutch plate over the three lugs on the motor drive adapter. Twist the brush right to lock it into position. To remove the brush, **UNPLUG THE MACHINE** and follow the same procedure as above, but by twisting the brush off with a firm jerk to the left. Remove the brush or pad driver when the machine is not in use. This will help prevent brush damage and reduce wobble problems.

OPERATION

Plug the machine's power cable into a properly grounded outlet (see Safety Instructions). Next, adjust the handle height to a comfortable position.

To use the solution feed system on your unit, first fill your solution tank with your cleaning chemical as instructed on your cleaning chemical label.

You may need to mix it with water depending on those chemical instructions. The solution tank holds 4 gal.

Then check to make sure that the solution tank valve (located at the bottom of the solution tank) is open. The lever should be in line with the valve when it is open. Depress pump switch located on the front of the switch box. Watch the spray pattern & hose direction of the sprayer and then adjust both according to fit your application. To adjust the spray pattern, turn the jet clockwise/counterclockwise. This will either widen the cone or reduce the size of it. To adjust where the jet is spraying, bend the hose to get it to line up where you want the spray to hit the floor.

Pull out on the "Watch Dog" Safety Lock button and start the machine by depressing either the left or right switch levers. Depress the pump switch (located below the interlock assembly) to spray your chemical while you operate the unit. Chemical only sprays when you depress the button and will stop spraying once you let up off the button.

Both hands should be placed on the handle when the machine is in operation. The machine will glide sideways over the floor by a slight raising and lowering of the handle. Raise the handle slightly to go to the right. Lower the handle slightly to go left. **Releasing the switch lever stops the machine at once.**

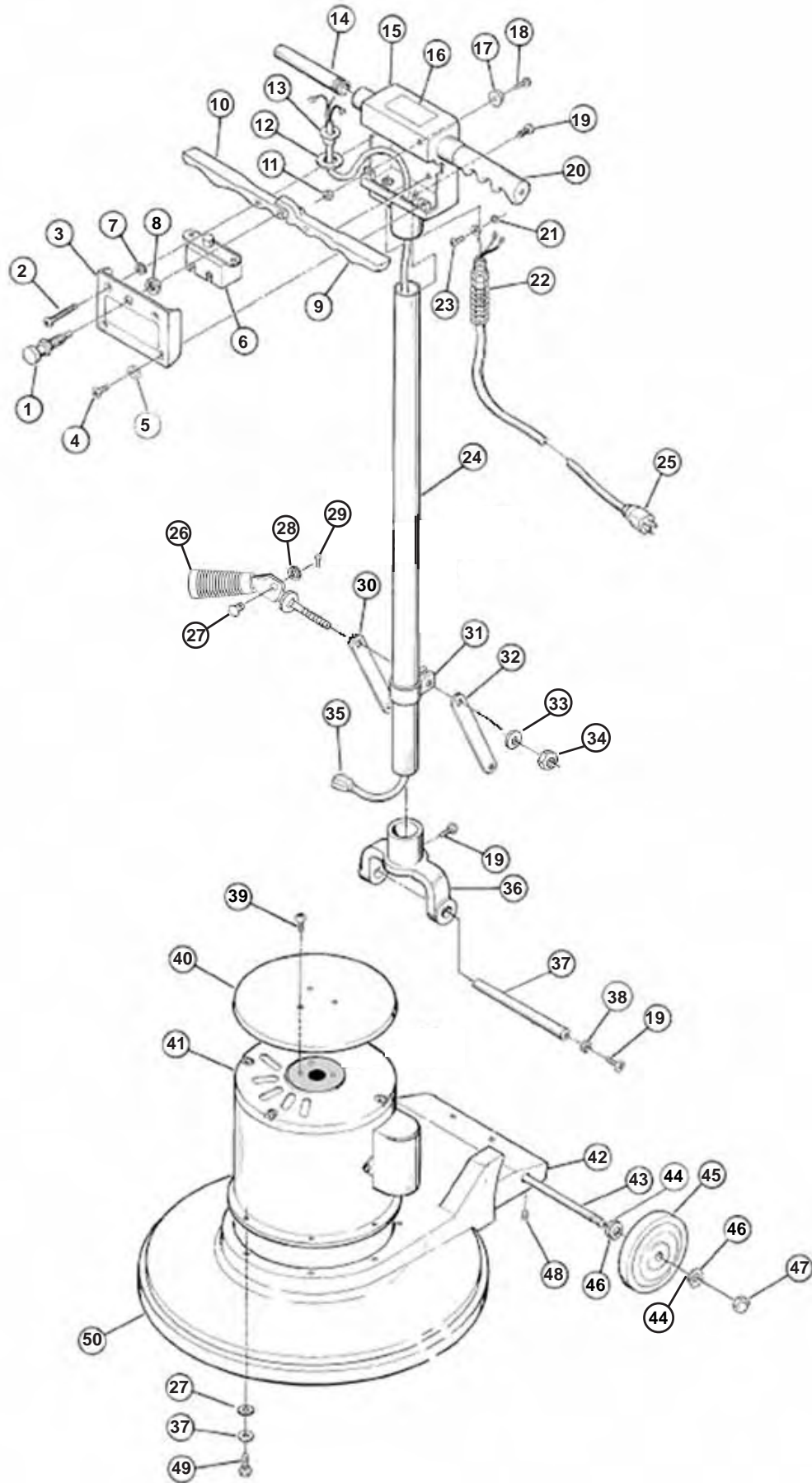
MAINTENANCE

AFTER EACH USE: Store the machine in a clean dry area. Wipe the entire machine and cord down with a clean cloth. Remove the pad or brush and clean thoroughly. Wrap the machine's electrical cord onto the handles and the cord hook provided. **CHECK** the cord and plug for nicks, cuts or damage. Report these to your supervisor for correction. To empty the tank, close the valve by turning the lever perpendicular to the valve. Then disconnect the quick disconnect on the hose that runs from the solution tank to the pump on the head of the machine. Make sure you are at the location that you want to drain the tank at and then open the valve again with the end of the hose that is coming from the tank over a sink/basin. Once the tank is empty, reconnect the quick disconnect and open the valve again.

WARNING! Always disconnect the machine's electrical plug from the electrical outlet before performing any service, maintenance, pad changing or inspection of the machine.

MOTOR: The motor is lubricated for life under normal use. No oiling or greasing is necessary. However, if the machine is used in dusty areas or is used for spray buffing, the motor should be cleaned. Blowing the motor out with compressed air or with the exhaust from a vacuum is suggested. Keeping the motor clean will allow the clear passage of air for ventilation and prevent overheating. If you have any questions regarding the maintenance of your floor machine, **ASK YOUR SUPERVISOR.**

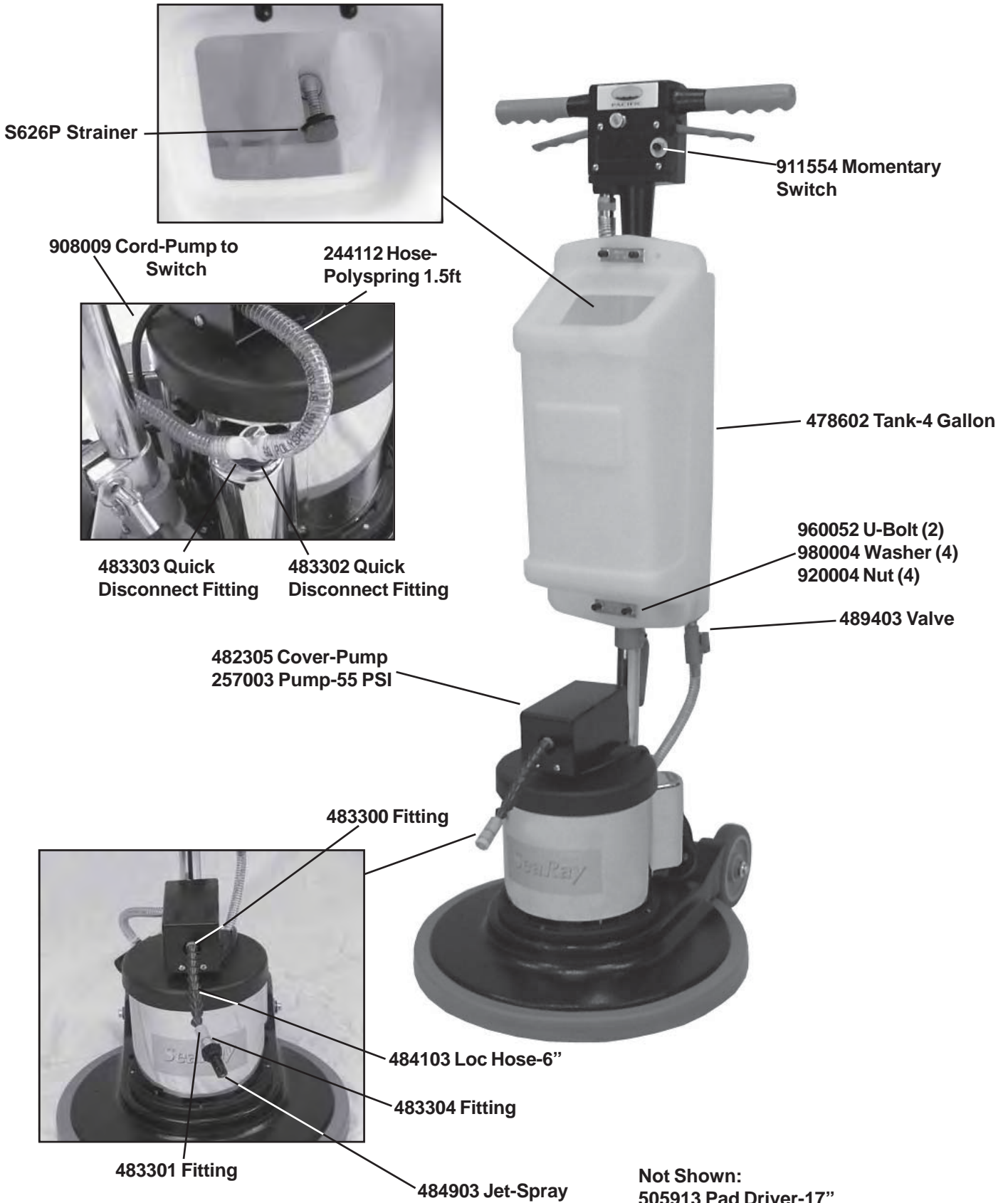
Searay Low Moisture Polisher/Scrubber



SeaRay Low Moisture Polisher/Scrubber Parts List

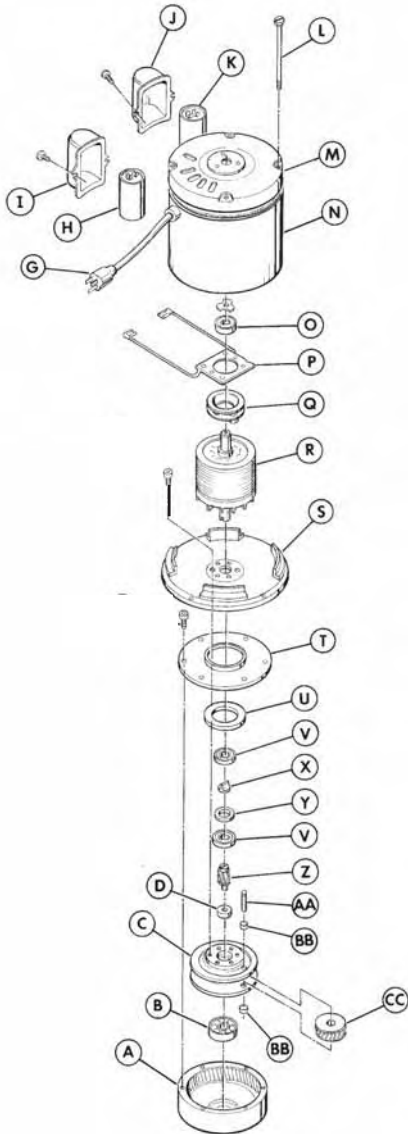
ITEM	PART NO.	DESCRIPTION	QTY.
1	504810	Interlock Assembly w/Nut	1
	506318	Label, Interlock Assembly	1
2	962011	Screw, 10-32 x 1 3/4 Oval	2
3	486407CA	Cover, Switch Box w/Hole	1
4	962002	Screw, 10-32 x 1/2 Oval	2
5	980018	Washer, #10 C-Sunk Ext.	1
6	508020	Switch, On/Off	1
7	509821	Washer, Rubber	2
8	920005	Nut, 3/8-24 Hex Jam	1
9	505121	Lever, Switch Left	1
10	505120	Lever, Switch Right	1
11	920001	Nut, 10-32 Nyloc Stop	1
12	509830	Washer, Handle Tube	1
13	503320	Flange, Strain Relief	1
14	505720	Nipple, Handle	2
15	481310C	Switch Box	1
16	515150	Label, Warning	1
17	501210	Bumper, Handle	1
18	962003	Screw, 10-32 x 3/4 PHP	1
19	962006	Screw, 1/4-20 x 1/2 PHP SS	6
20	503711	Grip, Handle-Gray	2
	501501	Cap, Protective End	2
21	980015	Washer, #10 Ext Tooth	1
22	508520	Strain Relief-Complete	1
	502020	Clamp, Strain Relief	1
23	962015	Screw, 10-32 x 3/8 PHP	1
24	509082	Tube, Handle	1
25	502422	Cord Assembly, 50 ft Yellow	1
26	485133	Kick Lever Assembly	1
		<i>(comes w/ items 27,28,29 & 34)</i>	
27	486701	Pin, Foot Latch	1
28	980004	Washer, 1/4 Flat	1
29	A13507	Pin, Cotter - 1/2 SS	1
30	480805	Arm, Right	1
31	482003	Clamp, Handle Tube	1
32	480804	Arm, Left	1
33	980003	Washer, 3/8 Flat	1
34	924055	Nut, Lock M10 Zinc	1
35	908008	Cord Assembly, Handle	1
36	509920C	Yoke, Handle	1
37	507480	Rod, Yoke	1
38	980002	Washer, 1/4 Split Lock	6
39	962004	Screw, 10-32 x 1 1/4 Oval	3
40	502373	Cover, Motor	1
41	See Page 7	Motor & Gear Assembly	1
42	483226	Frame, 17"	1
43	487706C	Shaft, Wheel Axle	1
44	509820	Washer, Fibre	4
45	529701	Wheel, 5" Non-Marking	2
46	980005	Washer, Wave	4
47	S482P	Cap, Snap Axle	2
48	962016	Screw, 10-32 x 3/8 Set	1
49	962010	Screw, 1/4-20 x 1	4
50	481202	Bumper, 17" Gray	1

Solution Assembly for SeaRay Low Moisture Polisher/Scrubber



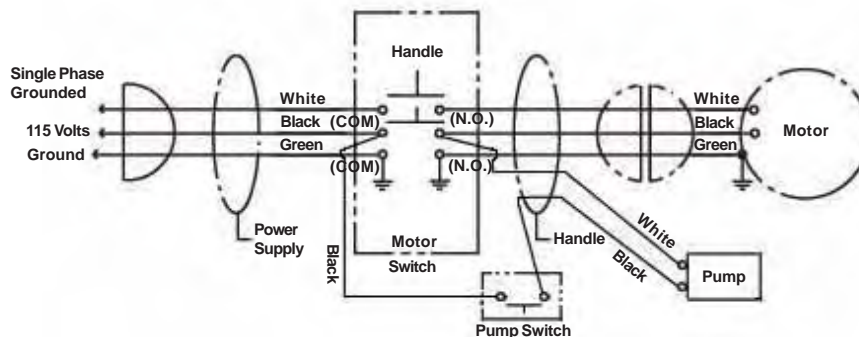
Not Shown:
505913 Pad Driver-17"
471307 Carpet Bonnet-17" (Case of 2)

AC Motor Illustration & Parts Listing



ITEM	PART NO.	DESCRIPTION	QTY.
	505251	Motor & Gear Asm., 1.5HP 115V 60CY	1
A	-	Ring Gear Housing	1
B	902007	Bearing	1
C	-	Planet Gear Hsing,10:1-3 Idler	1
D	902005	Bearing	1
E	960016	Screw	6
F	960017	Screw	6
G	-	Motor Cord	1
H	911305	Run Capacitor	1
I	502351	Cover, Run Capacitor	1
J	502351	Cover, Start Capacitor	1
K	911304	Start Capacitor	1
L	-	Bolt	4
M	502934	End Bell	1
N	-	Stator Asm (No Capacitors), Chrome	1
O	902003	Bearing, Motor Top	1
P	911306	Stationary Switch	1
Q	911307	Rotary Switch	1
R	-	Rotor Assembly (No Bearings or Switch)	1
S	502932	End Bell-Motor Lower	1
T	-	Cover, Ring Gear	1
U	902015	Bearing	1
V	902005	Bearing	2
X	502460	Coupling Flexible	1
Y	508211	Spacer	1
Z	503510	Pinion	1
AA	507701	Shaft-Planet Gear	3
BB	902016	Bearing-Planet Shaft	6
CC	-	Gear-Planet	3

WIRING DIAGRAM



WARRANTY POLICY LIMITED WARRANTY

The **Pacific SeaRay Low Moisture** Polisher/Scrubber has been manufactured, tested and inspected in accordance with specific engineering requirements and is WARRANTED to be free from defects in workmanship and materials as follows:

Three (3) years parts, One (1) year labor - AC Motor and Gear Unit, except motor switches, capacitors and flex couplings which have a one (1) year warranty.

Three (3) years parts, One (1) year labor - Castings

One (1) year parts and labor - All other components unless excluded below.

This warranty extends to the original user/purchaser and only when used, operated and maintained in accordance with **Pacific** Operating and Maintenance instructions.

This warranty does not apply to the following wear parts and accessories of the machine including:

<u>Part Number</u>	<u>Part Name</u>
502422	Cord Assembly, Yellow
529701	Wheel, 5"
503711	Handle Grip, Grey
481202	Bumper, 17"
503711	Lever Grip

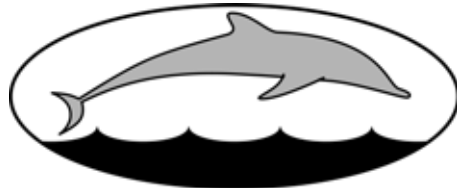
Nor does it apply to damage or failure caused by improper use, abuse or neglect. Warranty credit or replacement of return parts including motors, etc., is subject to incoming inspection of those items.

To secure repair under this warranty, the following procedure should be taken:

- The inoperative machine or warranted parts must be delivered to the authorized service center with shipping and delivery charges prepaid. If unable to locate a service center, you may contact Pacific at the address listed herein for the location of the nearest repair center or agent or for other instructions pertaining to your warranty difficulty.
- Upon compliance with the above warranty procedure, all warranted repairs would be completed at no additional charge or cost to the user.
- Only **Pacific** or its authorized dealers and agents may make no charge warranty repairs on this product. All others do so at their own risk.

This warranty limits **Pacific** liability to the repair of the product and/or warranted parts replacement and does not include incidental or consequential damages arising from the use of a **Pacific** machine whether defective or not.

This warranty is in lieu of all other expressed or implied warranties and is extended to the original purchaser/user.



PACIFIC

2259 South Sheridan Road
Muskegon, MI 49442

Ph: 800-968-1332 Fx: 800-863-9536

www.pacificfloorcare.com