

ScrubMaster 32B/33B

Parts List & Service Manual

The contents of this manual are based on the latest product information available at the time of publication. Pacific Steamex reserves the right to make changes or improvements to its machines without notice.

For new books write to:

Pacific
2259 S. Sheridan
Muskegon, MI 49442-6252

FOR YOUR CONVENIENCE, RECORD THE FOLLOWING IMPORTANT INFORMATION:

MODEL _____

SERIAL NUMBER _____

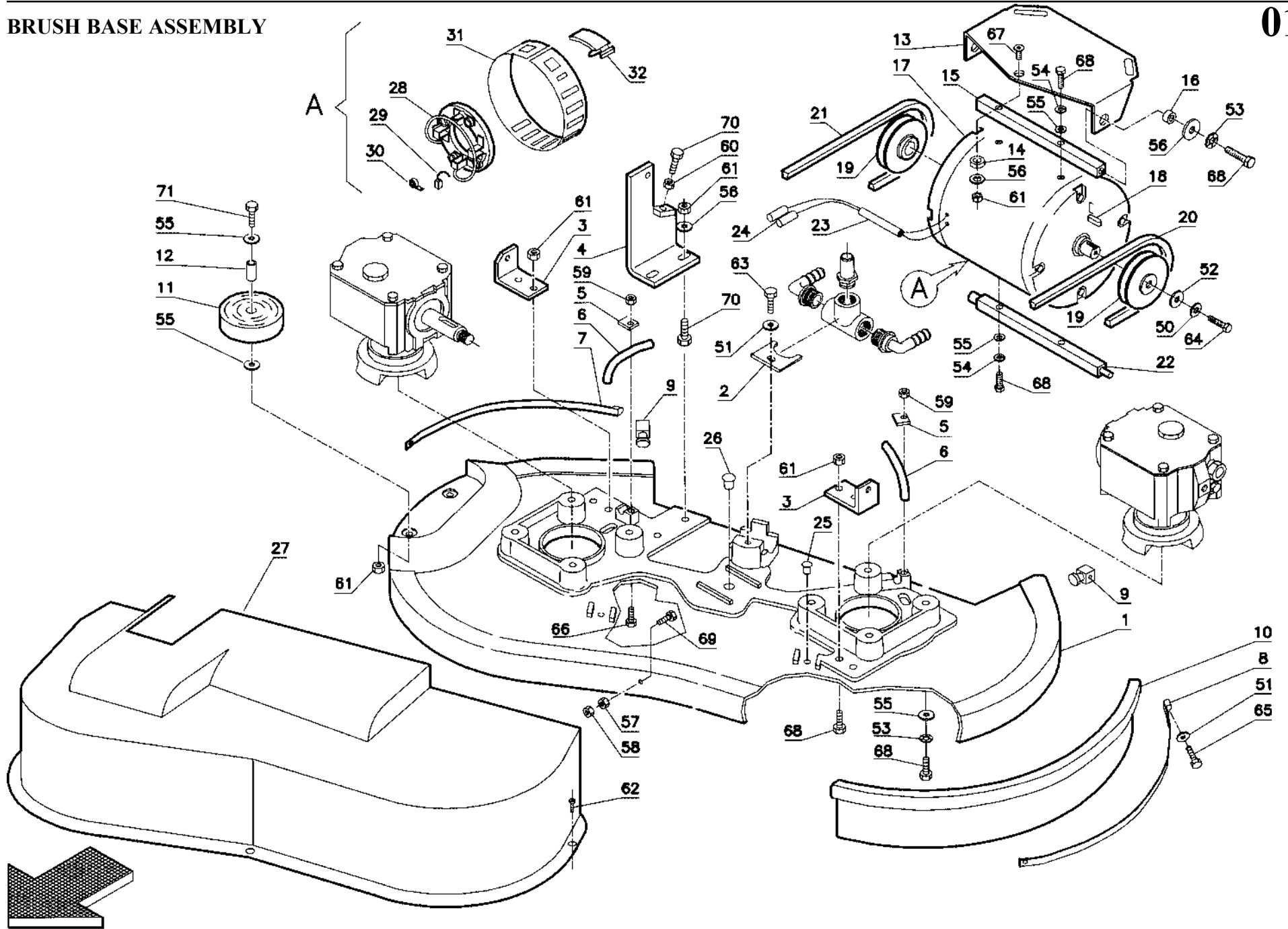
PART NUMBER _____

DATE PURCHASED _____

TABLE OF CONTENTS

MACHINE DRAWINGS & PARTS LISTS	PAGES 2 - 27
ELECTRICAL SCHEMATICS & PARTS LISTS	PAGES 28 - 31
CHOPPER CARD & ALARM DESCRIPTIONS	PAGES 32 - 33
INSPECTIONS & ADJUSTMENTS	PAGES 34 - 38
WARRANTY	PAGE 40

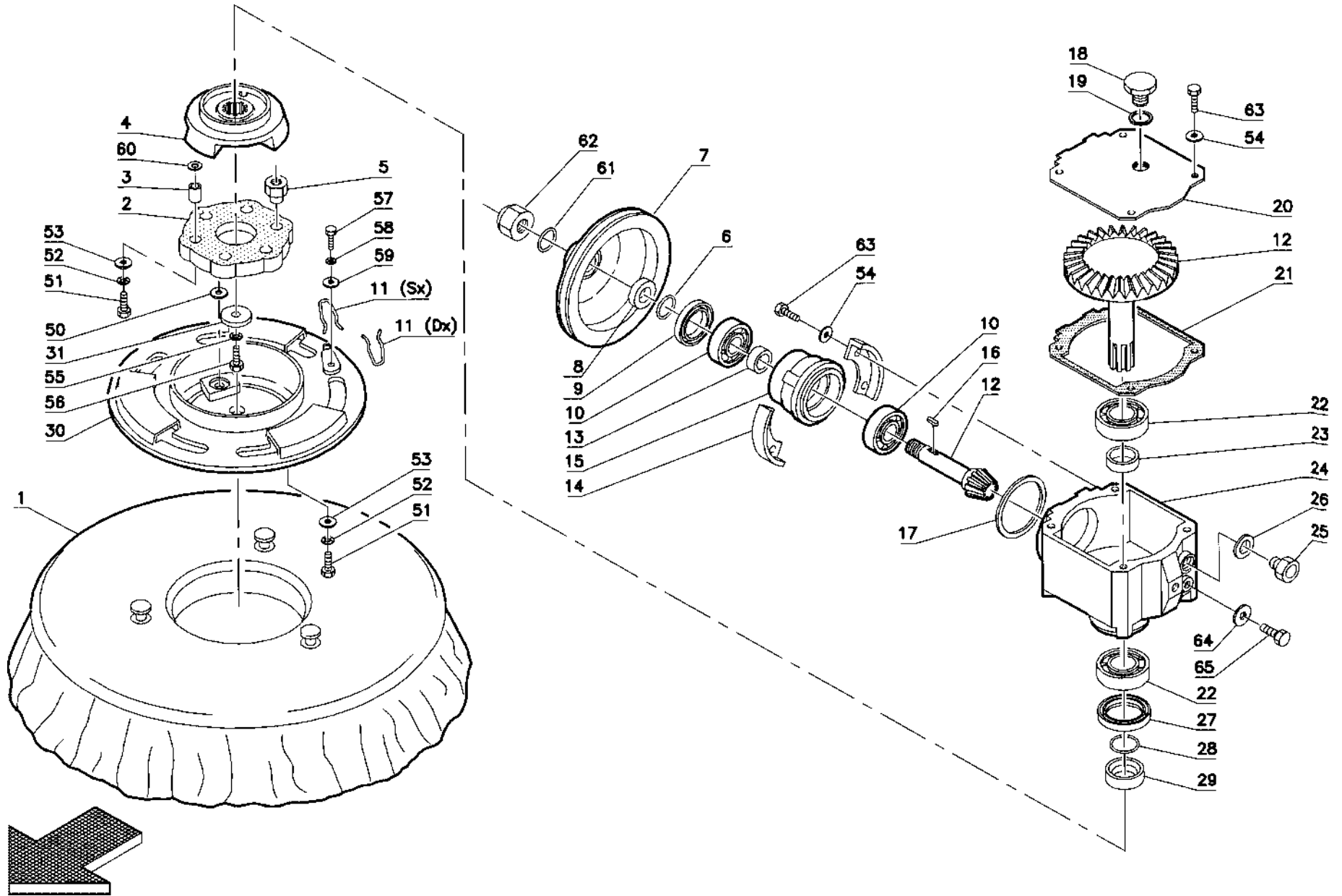
BRUSH BASE ASSEMBLY



DRAWING 01

Item	Part Number	Description	Qty.
1	69816010	Base: Brush Drive	1
2	41601100	Plate	1
3	40301010	Support	2
4	40303310	Support	1
5	40228500	Plate	2
6	41601010	Pipe	2
7	41601070	Blade	1
8	41601080	Blade	1
9	41601060	Coupling	2
10	67616010	Splash Guard	1
11	67020030	Wheel	2
12	69102110	Bushing	2
13	40304110	Support	1
14	69102020	Bushing	1
15	40704030	Support	1
16	69102050	Bushing	2
17	68230300	Motor: 36VDC, Starting w/SN#8671	1
17A	A0304001	Brush Mtr Kit to replace 68230900 Mtr used prior to SN#8671.	
18	70406064	Key	2
19	69401250	Motor Pulley	2
20	70110012	Belt	1
21	70110013	Belt	1
22	40304040	Support	1
23	67404070	Sheath	1
24	67404210	Pipe	2
25	72913008	Cap	2
26	72913002	Cap	1

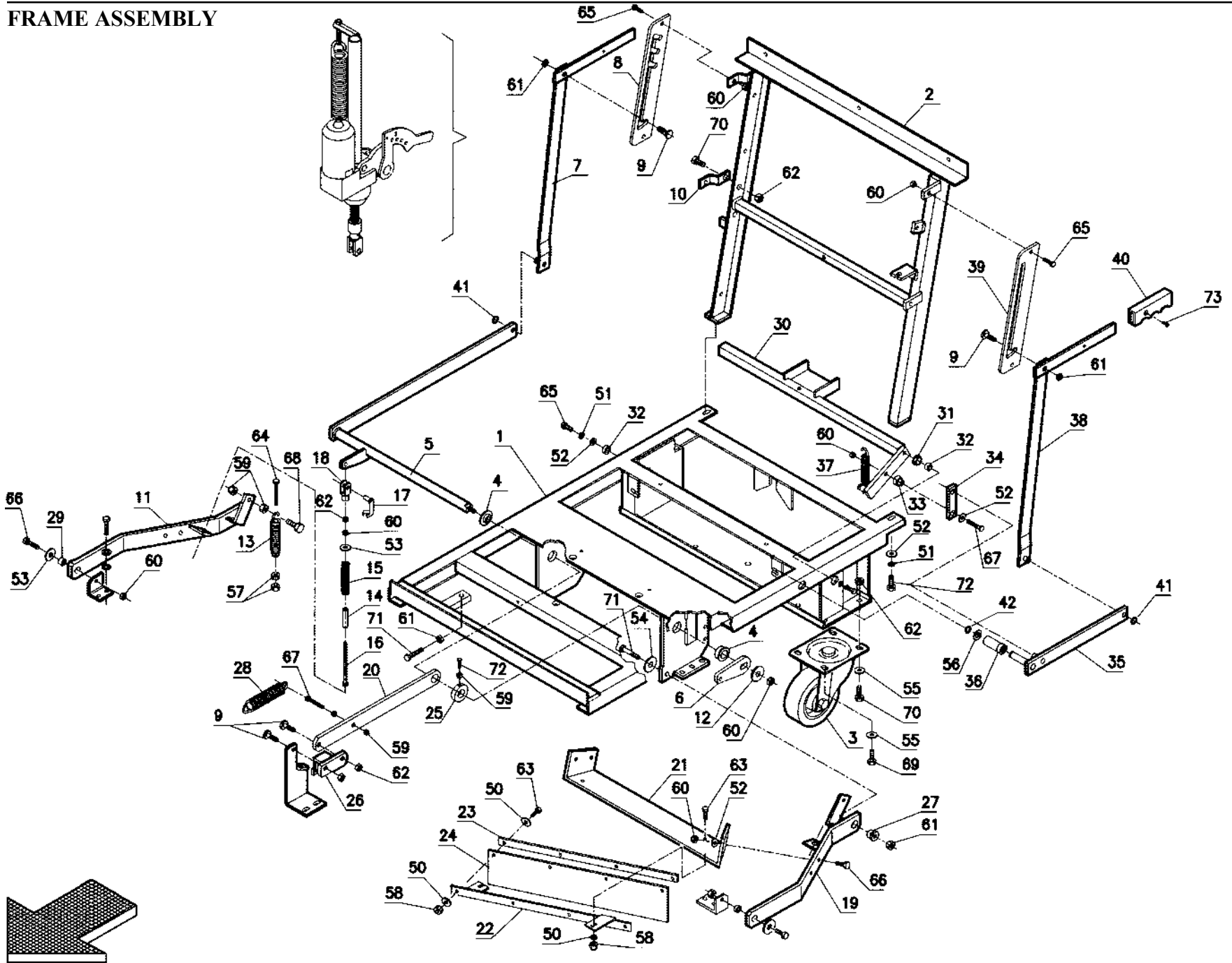
Item	Part Number	Description	Qty.
27	40346270	Cover: Base	1
28	72901002	Carbon Brush Holder	1
29	880952	Carbon Brush Motor	4
30	72901001	Spring	4
31	73501105	Clamp	1
32	73501106	Hook Assembly	1
50	980045	Lock Washer	
51	980042	Washer: 6x12	
52	980065	Washer: 6x24	
53	980053	Lock Washer	
54	980069	Washer	
55	980039	Washer: 8x17	
56	980044	Washer: 9x24	
57	924046	Nut: M5	
58	924032	Lock Nut: M5	
59	924026	Lock Nut: M6	
60	924035	Nut: M8	
61	924033	Lock Nut: M8	
62	964133	Screw: M5x10	
63	964107	Screw: M6x16	
64	964087	Screw: M6x18	
65	70940603	Screw: M6x35	
66	964095	Screw: M6x35	
67	70980802	Screw: M8x22	
68	964090	Screw: M8x25	
69	70920501	Screw: M5x30	
70	964085	Screw: M8x30	
71	964106	Screw: M8x45	



DRAWING 02

Item	Part Number	Description	Qty.
1	880980	Brush, Poly	
	885980	Pad Driver	
2	41601110	Flexible Coupling	2
3	69009040	Spacer	6
4	41201040	Flange	2
5	69109040	Bushing	6
6	70800007	O-Ring	2
7	69410150	Pulley	2
8	69011010	Spacer	2
9	70730471	Oil Seal	2
10	70511702	Bearing	4
11	69230010	Spring	2
12	69350100	Bevel Gear Pair Right Red.	1
13	69001120	Spacer	2
14	40205120	Holdfast	4
15	41205020	Support	2
16	70405053	Key	2
17	67400410	Gasket	2
18	74550002	Breather	2
19	883451	Gasket	2
20	40205130	Cover	2
21	67400420	Gasket	2
22	70512501	Bearing	4
23	69001130	Spacer	2
24	41605010	Reduction Gear Box Left	1
25	74550006	Level Plug	2

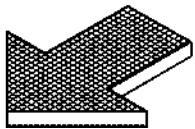
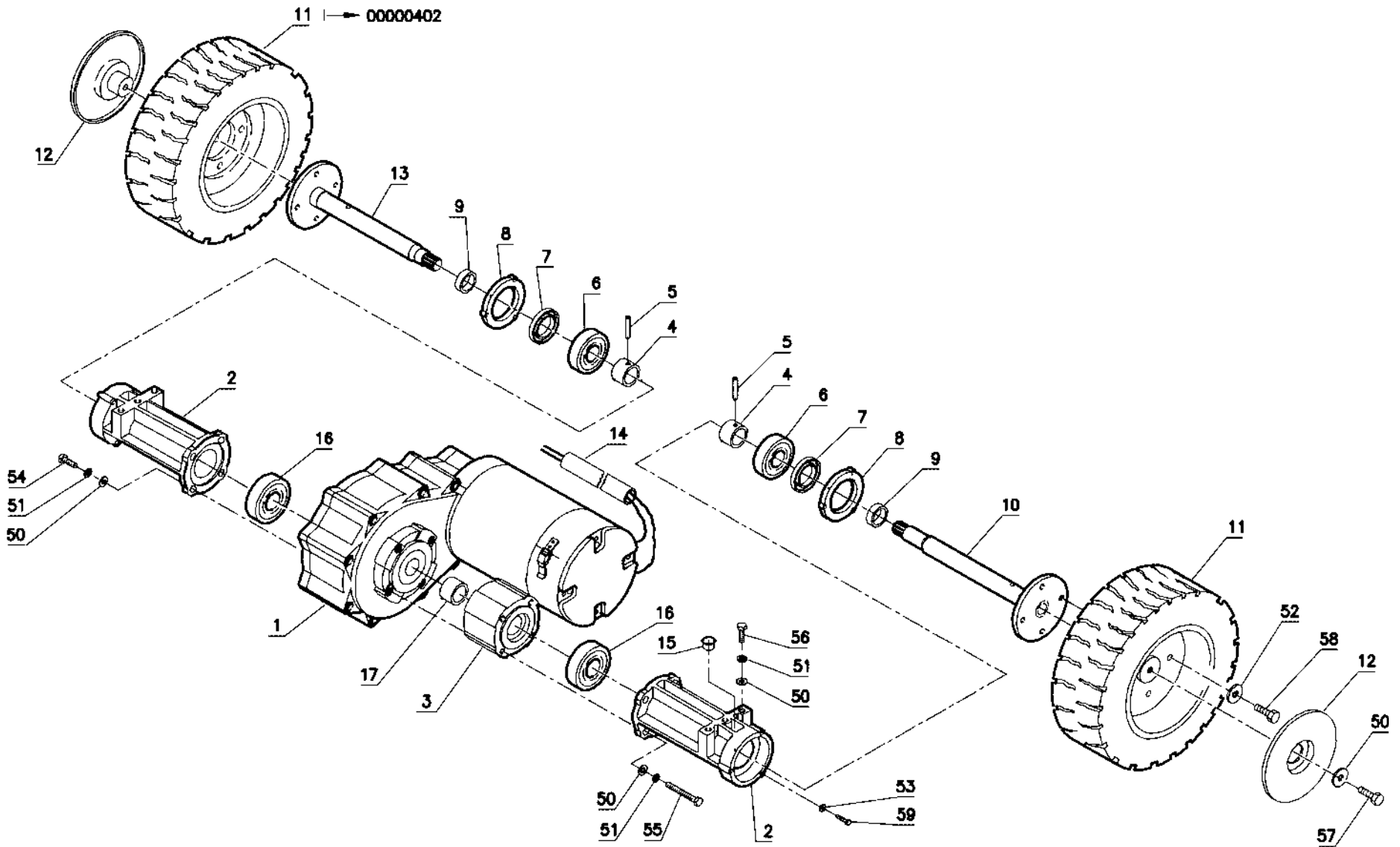
Item	Part Number	Description	Qty.
26	67400180	Gasket	2
27	70738521	Oil Seal	2
28	70800006	O-Ring	2
29	69001100	Spacer	2
30	41201050	Plate	2
31	40205080	Special Washer	2
50	71308004	Washer: 8x18	
51	964085	Screw: M8x30	
52	980053	Lock Washer	
53	980044	Washer: 9x24	
54	71308002	Split Washer	
55	980069	Washer: 8x3	
56	70930801	Screw: M8x18	
57	70910602	Screw: M6x10	
58	980045	Lock Washer	
59	980065	Washer: 6x24	
60	980039	Washer: 8x17	
61	924030	Washer	
62	71021601	Lock Nut	
63	964086	Screw: M8x20	
64	71110001	Washer: 10x16	
65	70911001	Screw: M10x12	
	A2050013	Reduction Gear Assembly - Right	2



DRAWING 03

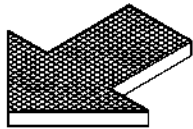
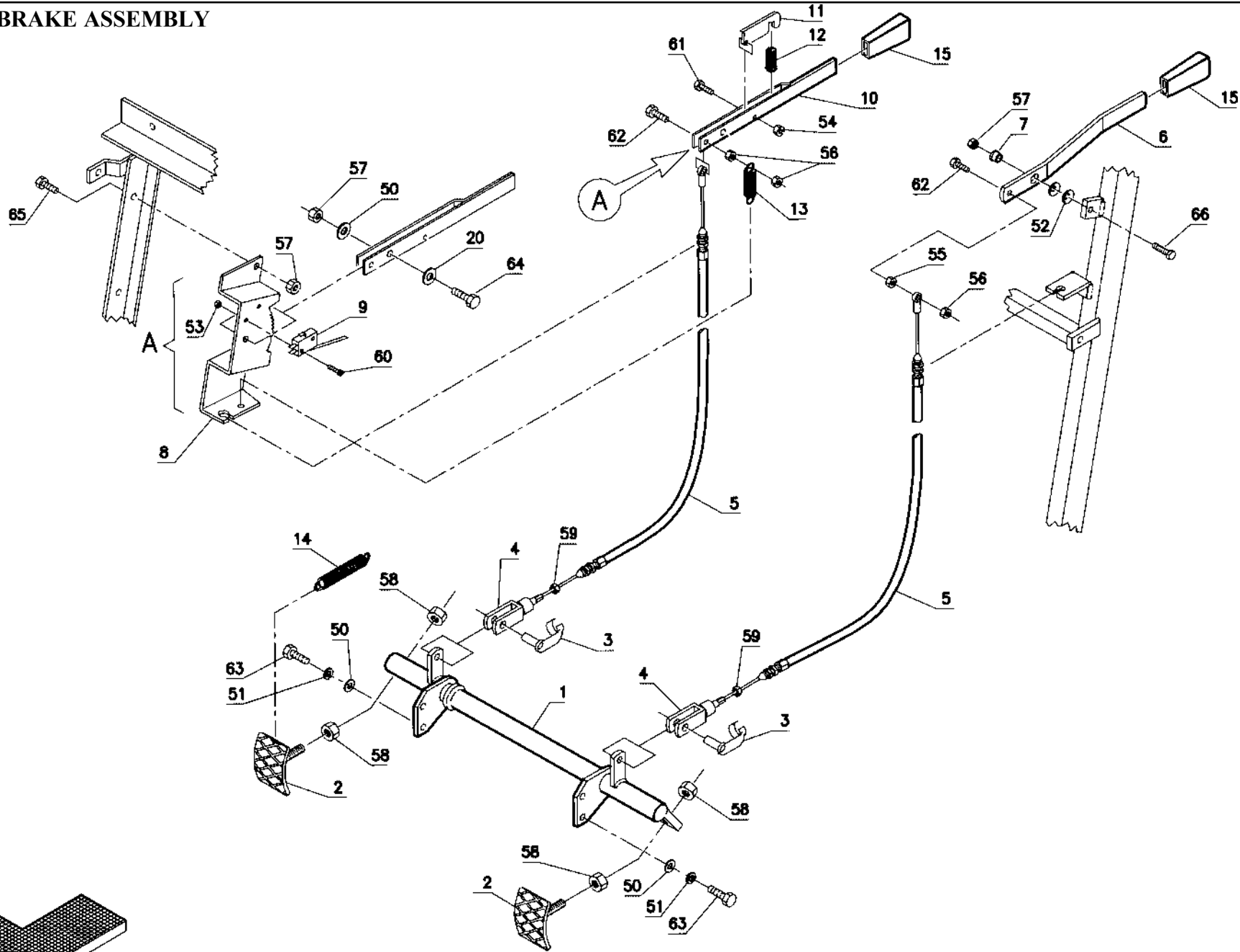
Item	Part Number	Description	Qty.
1	69903100	Frame	1
2	69903200	Rear Frame	1
3	67050060	Castor Wheel	2
4	69102040	Bushing	2
5	40303280	Shaft	1
6	40303300	Left Lever	1
7	40303260	Lever	1
8	40303270	Blade	1
9	40312270	Pin	4
10	40703260	Bracket	1
11	40303340	Right Arm	1
12	40205080	Special Washer: 8x32x4	1
13	69220190	Spring	2
14	40303040	Pipe	2
15	69210200	Spring	2
16	40303030	Screw: M8x130	2
17	74620001	Pin	2
18	74610001	Fork	2
19	40303350	Left Arm	1
20	40703370	Arm	1
21	40303320	Bar	1
22	40303330	Support	1
23	68816010	Blade	1
24	67616020	Splash Guard	1
25	40618060	Stop Ring	1
26	40703380	Joint	1
27	69106010	Bushing	2
28	888350	Spring	1
29	69102070	Bushing	2
30	40312220	Shaft	1
31	69102270	Bushing	1
32	69102050	Bushing	2
33	69102260	Bushing	1

Item	Part Number	Description	Qty.
34	40312280	Rod	1
35	40312240	Lever	1
36	69102250	Bushing	1
37	69220160	Spring	1
38	40312250	Lever	1
39	40312260	Blade	1
40	74100007	Knob	2
41	70230008	Ring - Snap	2
42	887341	Ring - Snap	1
50	980062	Washer: 6x12	
51	980069	Lock Washer: 8x3	
52	980039	Washer: 8x17	
53	980044	Washer: 9x24	
54	71110007	Lock Washer	
55	980064	Washer: 10x21	
56	71114002	Washer: 15x28	
57	924063	Nut: M6	
58	924050	Lock Nut: M6	
59	924035	Nut: M8	
60	924033	Lock Nut: M8	
61	924053	Nut: M10	
62	924055	Lock Nut: M10	
63	964064	Screw: M6x16	
64	70910623	Screw: M6x60	
65	70910806	Screw: M8x22	
66	964085	Screw: M8x30	
67	964103	Screw: M8x35	
68	964106	Screw: M8x45	
69	70911001	Screw: M10x12	
70	70911004	Screw: M10x22	
71	70911025	Screw: M10x55	
72	964086	Screw: M8x20	
73	964133	Screw: M5x10	



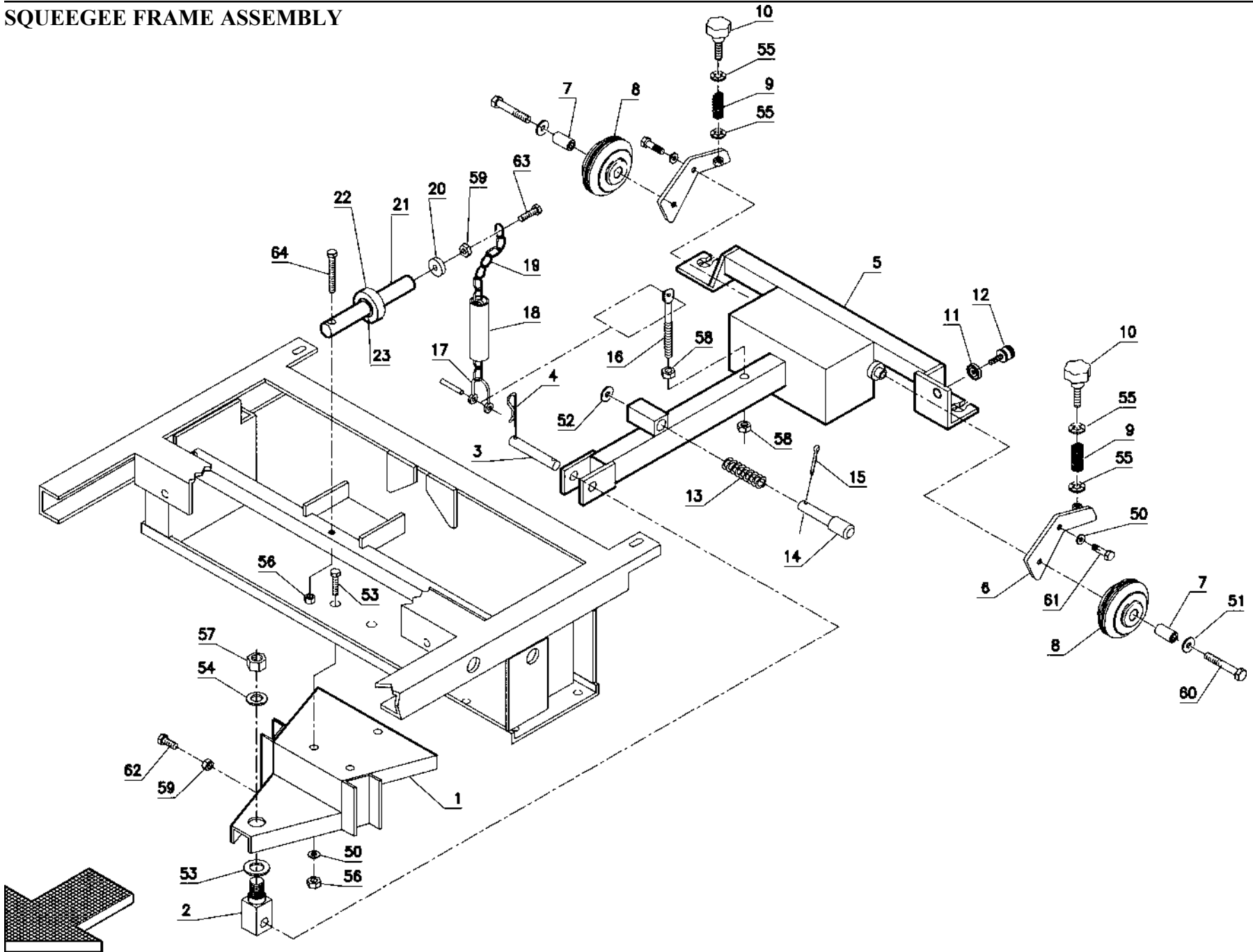
DRAWING 04

Item	Part Number	Description	Qty.
1	68200220	Motor: Geared 36VDC, 450W	1
	68230940	Motor Only, 36VDC, 450W	
	71707143	Carbon Brushes	4
2	40730030	Support	2
3	73501201	Spacer	1
4	69006040	Spacer	2
5	71406003	Spring Pin	2
6	70512503	Bearing	2
7	70732521	Oil Seal	2
8	40730040	Cover	2
9	69006030	Spacer	2
10	68907030	Left Axle Shaft	1
11	67030540	Rubber Wheel	2
11A	67030550	Rubber Wheel	2
11B	67030560	Antiskid Wheel	2
12	41617020	Wheel Cover	2
13	68903030	Right Axle Shaft	1
14	67404160	Sheath	1
15	72913015	Cap	4
16	70512002	Bearing	2
17	40730050	Spacer	1
50	980039	Washer: 8x17	
51	980069	Lock Washer: 8x3	
52	980064	Washer: 10x21	
53	980041	Lock Washer	
54	964090	Screw: M8x25	
55	70910827	Screw: M8x50	
56	70910806	Screw: M8x22	
57	70910803	Screw: M8x16	
58	70911004	Screw: M10x22	
59	964062	Screw: M5x16	



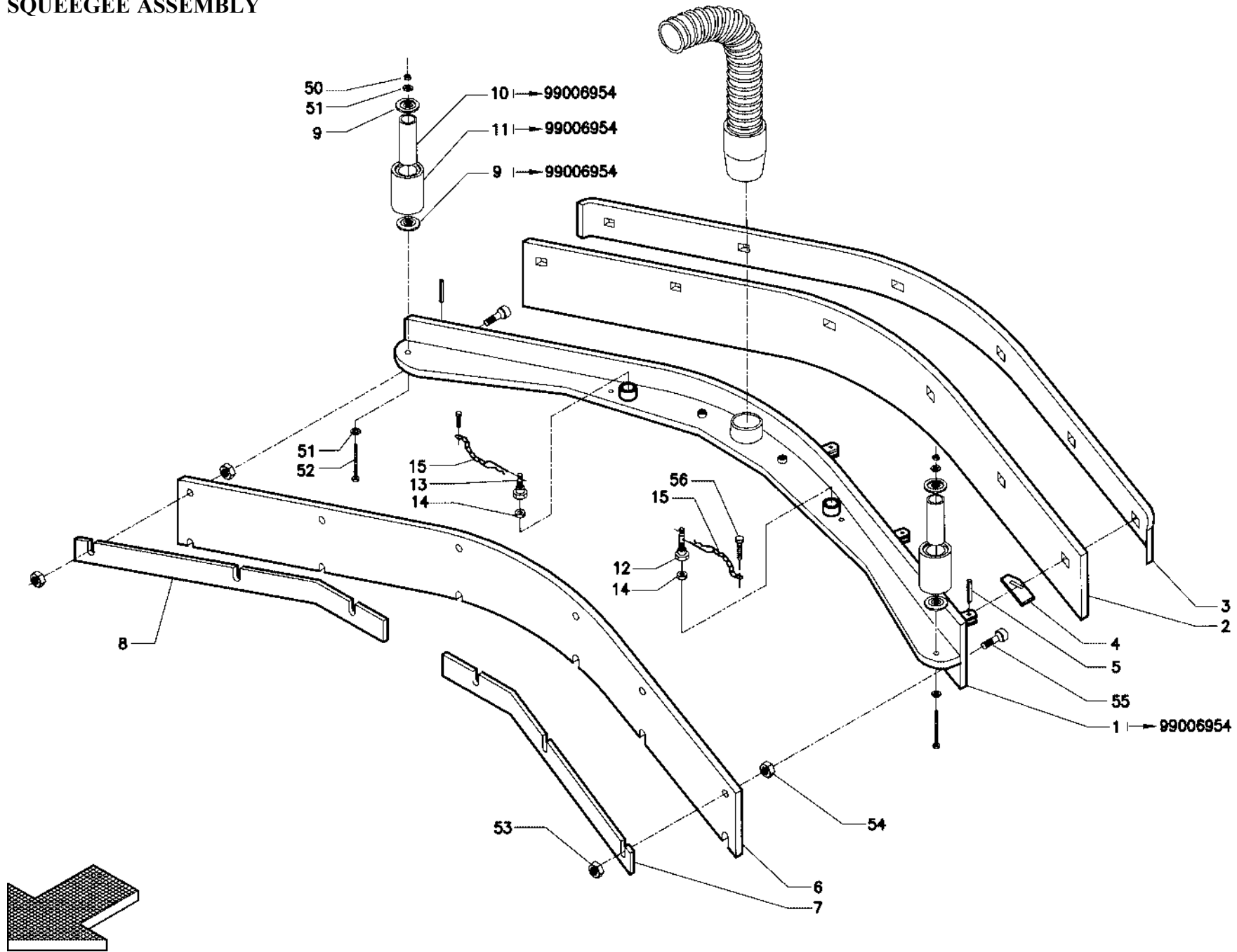
DRAWING 05

Item	Part Number	Description	Qty.
1	40318200	Shaft	1
2	41618040	Pad	2
3	74620006	Pin	2
4	74610005	Fork	2
5	74803042	Brake Cable	2
6	40318090	Lever	1
7	69111010	Bushing	1
8	40318080	Support	1
9	72105009	Microswitch	1
10	40318100	Lever	1
11	40318110	Lever	1
12	69210540	Spring	1
13	888336	Spring	1
14	888350	Spring	1
15	74100005	Knob	2
50	980039	Washer: 8x17	
51	980069	Lock Washer: 8x3	
52	71120003	Washer: 12z25	
53	924043	Lock Nut: M3	
54	924029	Lock Nut: M4	
55	924063	Nut: M6	
56	924026	Lock Nut: M6	
57	924033	Lock Nut: M8	
58	71011202	Nut: M12	
59	924035	Nut: M8	
60	964101	Screw: M3x20	
61	70910407	Screw: M4x16	
62	964078	Screw: M6x25	
63	964086	Screw: M8x20	
64	70910806	Screw: M8x22	
65	964090	Screw: M8x25	
66	964085	Screw: M8x30	



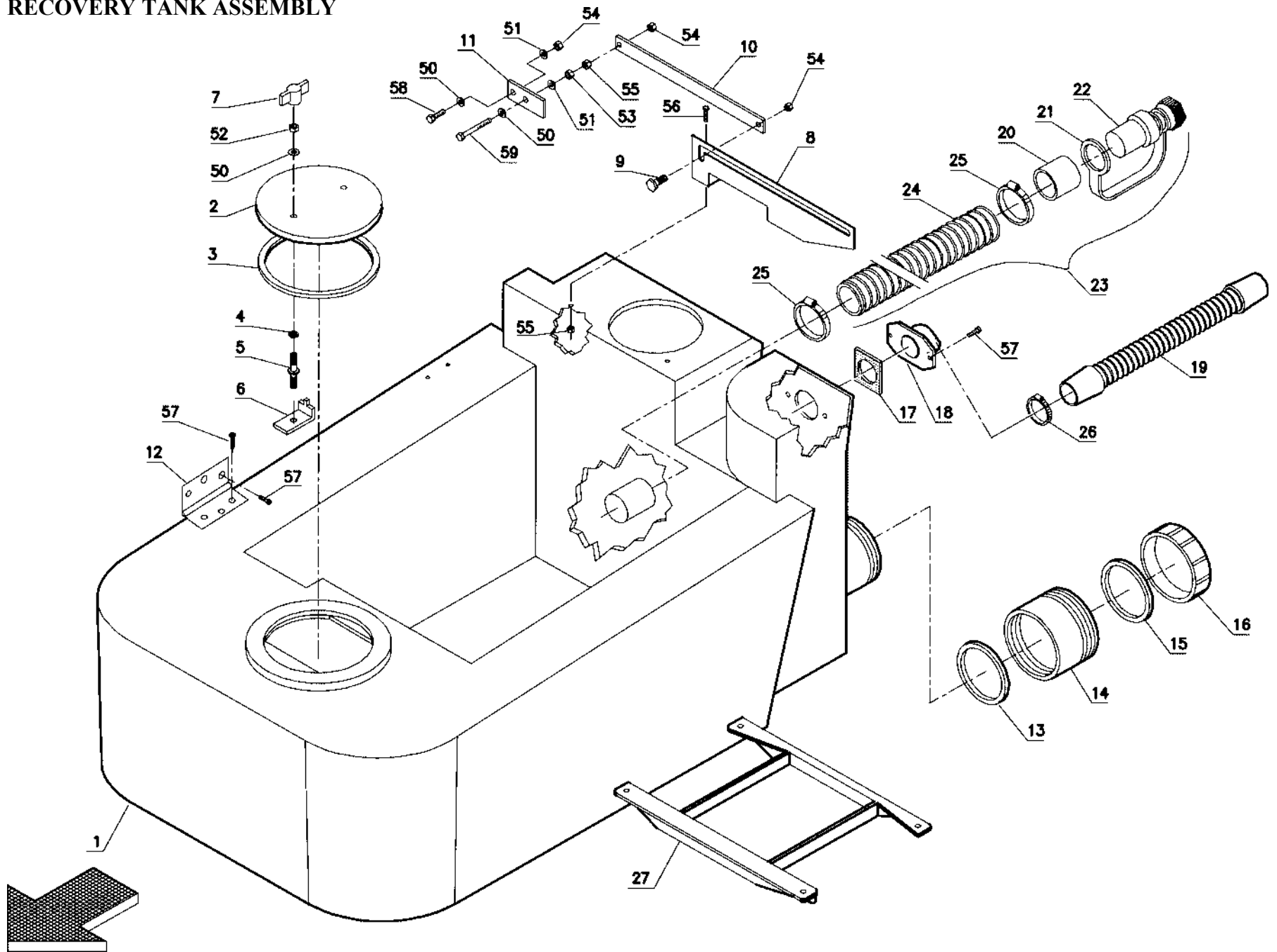
DRAWING 06

Item	Part Number	Description	Qty.
1	40712060	Support	1
2	40712050	Joint	1
3	41203180	Pin	1
4	882130	Clip	2
5	40712040	Arm	1
6	40712070	Support	2
7	69104070	Bushing	2
8	67010060	Wheel	2
9	69210590	Spring	2
10	74008010	Knob	2
11	40312190	Handwheel	1
12	40312180	Aduster	1
13	69210040	Spring	1
14	40312100	Push button	1
15	925603	Split Pin	1
16	40312300	Adjuster	1
17	74400017	Split Pin	1
18	67404250	Sheath	1
19	40312310	Chain	1
20	70510801	Bearing	1
21	40312230	Arm	1
22	40312290	Roller	1
23	70220008	Ring - Snap	2
50	980039	Washer: 8x17	
51	980064	Washer: 10x21	
52	980044	Washer: 9x24	
53	980068	Washer: 21x37	
54	924030	Washer: 17x30	
55	980053	Lock Washer	
56	924033	Lock Nut: M8	
57	71021601	Lock Nut: M16	
58	924053	Nut: M10	
59	924035	Nut: M8	
60	70911024	Screw: M10x60	
61	70910802	Screw: M8x14	
62	964086	Screw: M8x20	
63	964090	Screw: M8x25	
64	964084	ScrewL N8x50	



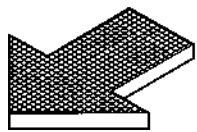
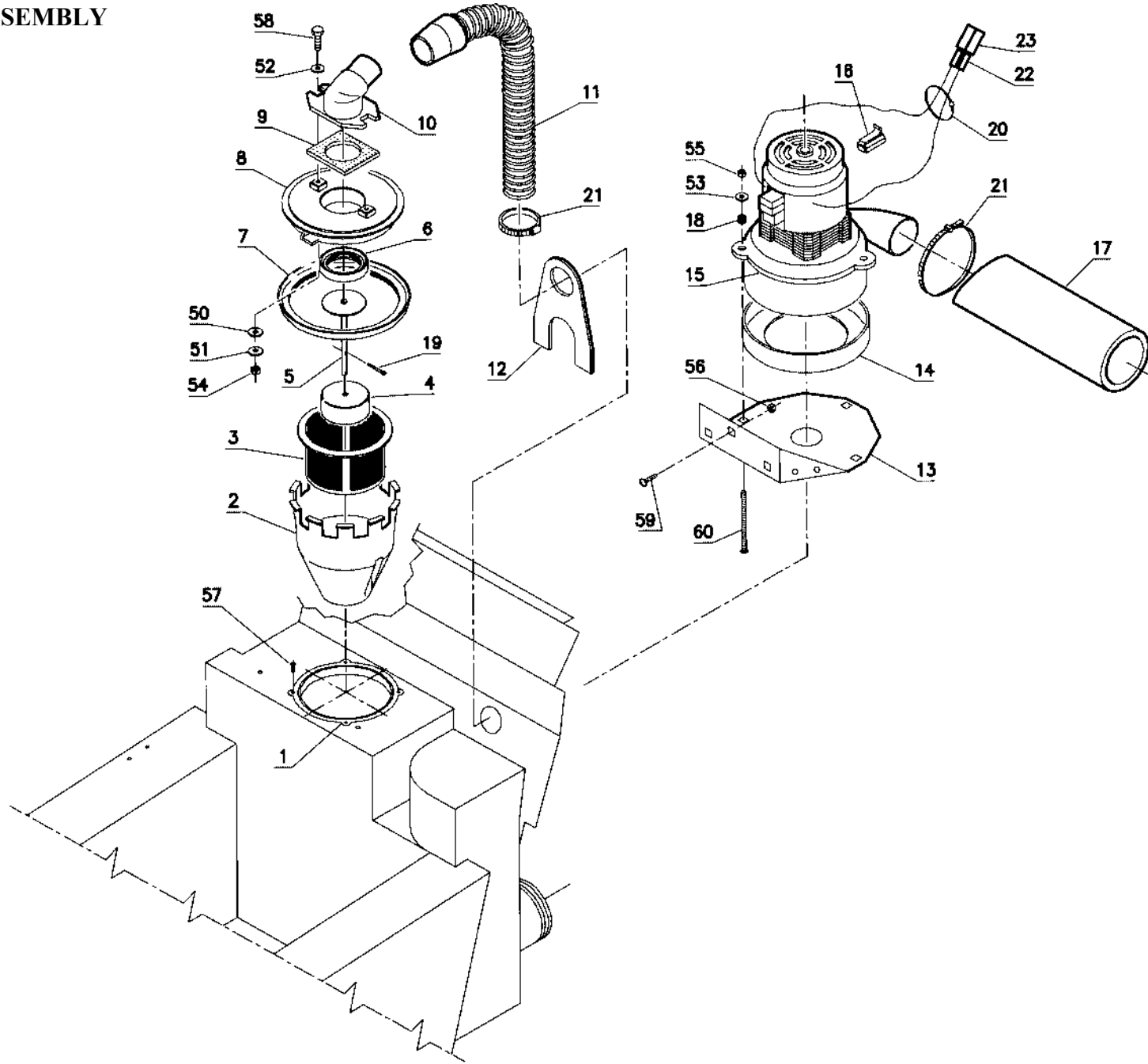
DRAWING 07

Item	Part Number	Description	Qty.
1	69603080	Squeegee Body	1
2	67703170	Central Rubber 33 Shore	1
2A	67703160	Central Rubber 40 Shore (standard)	1
2B	67703180	Rear Rubber Oil-Resistant	1
3	68803090	Blade	1
4	41811060	Plate	6
5	71405002	Spring Pin	6
6	67703150	Front Rubber	1
7	68803080	Left Blade	1
8	68803070	Right Blade	1
9	40411020	Special Washer	4
10	40411010	Pin	2
11	67020080	Wheel	2
12	40311030	Stud Bolt	1
13	40711010	Stud Bolt	1
14	40311020	Special Nut	2
15	40711030	Chain with Clip	2
50	924055	Lock Nut	
51	980064	Washer	
52	70911030	Screw	
53	71020603	Lock Nut: M6	
54	924054	Nut: M6	
55	964110	Screw: M6x25	
56	964133	Screw: M5x10	
	A9603003	Squeegee Assembly	1



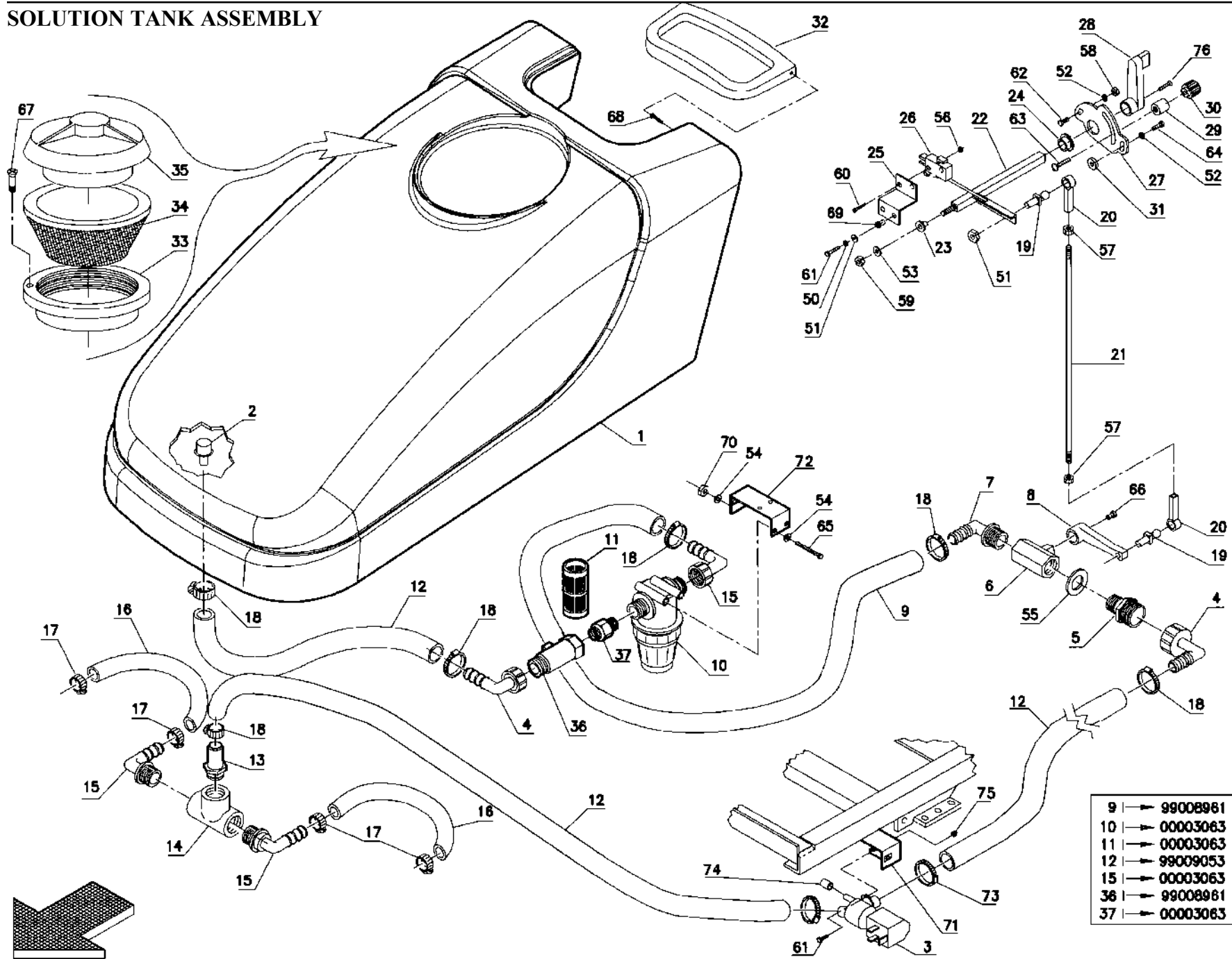
DRAWING 08

Item	Part Number	Description	Qty.
1	69703030	Recovery Tank	1
2	40736130	Cover	1
3	67406080	Gasket	1
4	70800022	Gasket	2
5	40736140	Stud Bolt	2
6	40736150	Holdfast	2
7	74008011	Wing Nut	2
8	40736080	Support	1
9	40736100	Stud Bolt	1
10	40336230	Support	1
11	40736110	Plate	1
12	40346280	Hinge	2
13	67406090	Gasket	1
14	40336250	Extension Tube	1
15	67400990	Gasket	1
16	40336170	Cover	1
17	883446	Gasket	1
18	40741010	Fitting	1
19	67512560	Suction Hose	1
20	67300080	Pipe	1
21	40741020	Clamp	1
22	41036060	Cover	1
23	67523020	Hose Assembly	1
24	67512530	Pipe	1
25	74220059	Clamp	2
26	882030	Clamp	1
27	40316290	Support	1
50	71108005	Washer: 8x17	
51	980039	Washer: 8x17	
52	71010804	Nut: M8	
53	924035	Nut: M8	
54	924033	Lock Nut: M8	
55	924050	Nut: M6	
56	70910614	Screw: M6x25	
57	70945001	Screw: 5,2x20	
58	70910809	Screw: M8x25	
59	70910818	Screw: M8x60	



DRAWING 09

Item	Part Number	Description	Qty.
1	42036030	Ring	1
*2	888551	Protection	1
*3	66500010	Filter	1
*4	883344	Float	1
*5	40336220	Rod	1
*6	883442	Gasket	1
*7	883441	Gasket	1
8	886841	Cover	1
9	883446	Gasket	1
10	882442	Coupling	1
11	67512560	Hose	1
12	40341050	Protection	1
13	40716300	Support	1
14	67401010	Shroud	1
15	68130330	Vac Motor: 36V	1
16	880951	Carbon Brush	2
17	884132	Deadening Hose	1
18	883830	Bushing	3
*19	925603	Split Pin	2
20	74210001	Clamp	2
21	882030	Clamp	1
22	72700004	Contact	2
23	72700003	Connector	2
50	980059	Washer: 4x12	
51	71104002	Washer: 4x9	
52	980060	Washer: 5x20	
53	980040	Washer: 6x18	
54	924045	Nut: M4	
55	924026	Lock Nut: M6	
56	924032	Lock Nut: M5	
57	964063	Screw: 4, 2x16	
58	964105	Screw: M4x25	
59	70900501	Screw: M5x16	
60	70900605	Screw: M6x90	
*	A6503001	Filter Assembly	

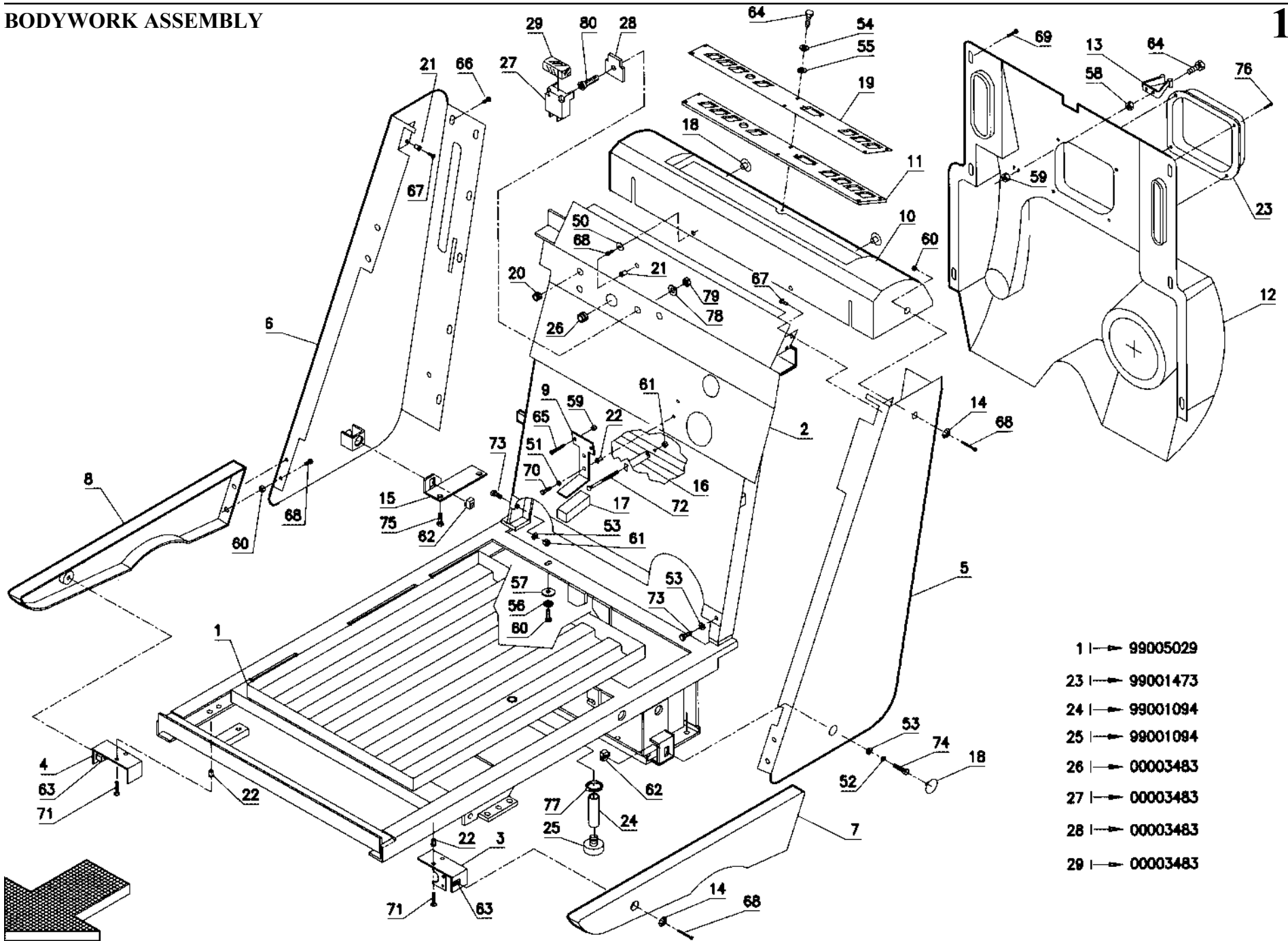


DRAWING 10

Item	Part Number	Description	Qty.
1	69703040	Solution Tank	1
2	74540024	Connector	1
3	68533010	Solenoid Valve	1
4	74520011	Connector	3
5	74560009	Nipple	1
6	74510001	Cock	1
7	74520004	Connector	2
8	885144	Cock Lever	1
9	67522990	Hose	1
10	66500490	Filter	1
11	66500500	Filter Cartridge	1
12	67523180	Hose	3
13	40337040	Connector	1
14	74530001	Fitting	1
15	883349	Connector	3
16	67522720	Hose	2
17	882042	Clamp	4
18	74220061	Clamp	6
19	74400013	Pin	2
20	74400007	Adjustable Head	2
21	40337050	Rod	1
22	40337060	Valve Lever	1
23	69101060	Bushing	1
24	69102280	Bushing	1
25	40716350	Support	1
26	72105009	Microswitch	1
27	40736160	Adjuster	1
28	40736180	Valve Lever	1
29	40736170	Spacer	1
30	74005001	Knob	1
31	980624	Special Washer	1
32	40746110	Door	1

Item	Part Number	Description	Qty.
33	41036040	Ring with Gasket	1
34	66500180	Filter	1
35	41036030	Cover	1
36	74510008	Cock	1
37	74560018	Nipple	1
50	980058	Lock Washer	
51	980057	Washer: 4x12	
52	980066	Washer: 5x11	
53	980042	Washer: 6x12	
54	980039	Washer: 8x17	
55	980068	Washer: 21z37	
56	924043	Lock Nut: M3	
57	924046	Nut: M5	
58	71030501	Nut Brass: M5	
59	924026	Lock Nut: M6	
60	964101	Screw: M3x20	
61	70910401	Screw: M4x12	
62	964114	Screw: M5x8	
63	964077	Screw: M5x25	
64	964065	Screw: M5x20	
65	964108	Screw: M8x70	
66	70920411	Screw: 3/16x1/4"	
67	70943904	Screw: 3, 9x19	
68	70943903	Screw: 3, 9x16	
69	74806002	Insert: M4	2
70	924033	Lock Nut M8	
71	40737020	Support	1
72	40716320	Support	1
73	74210004	Clamp	2
74	72913010	Plug	1
75	924029	Lock Nut	2
76	70980505	Screw	1

BODYWORK ASSEMBLY

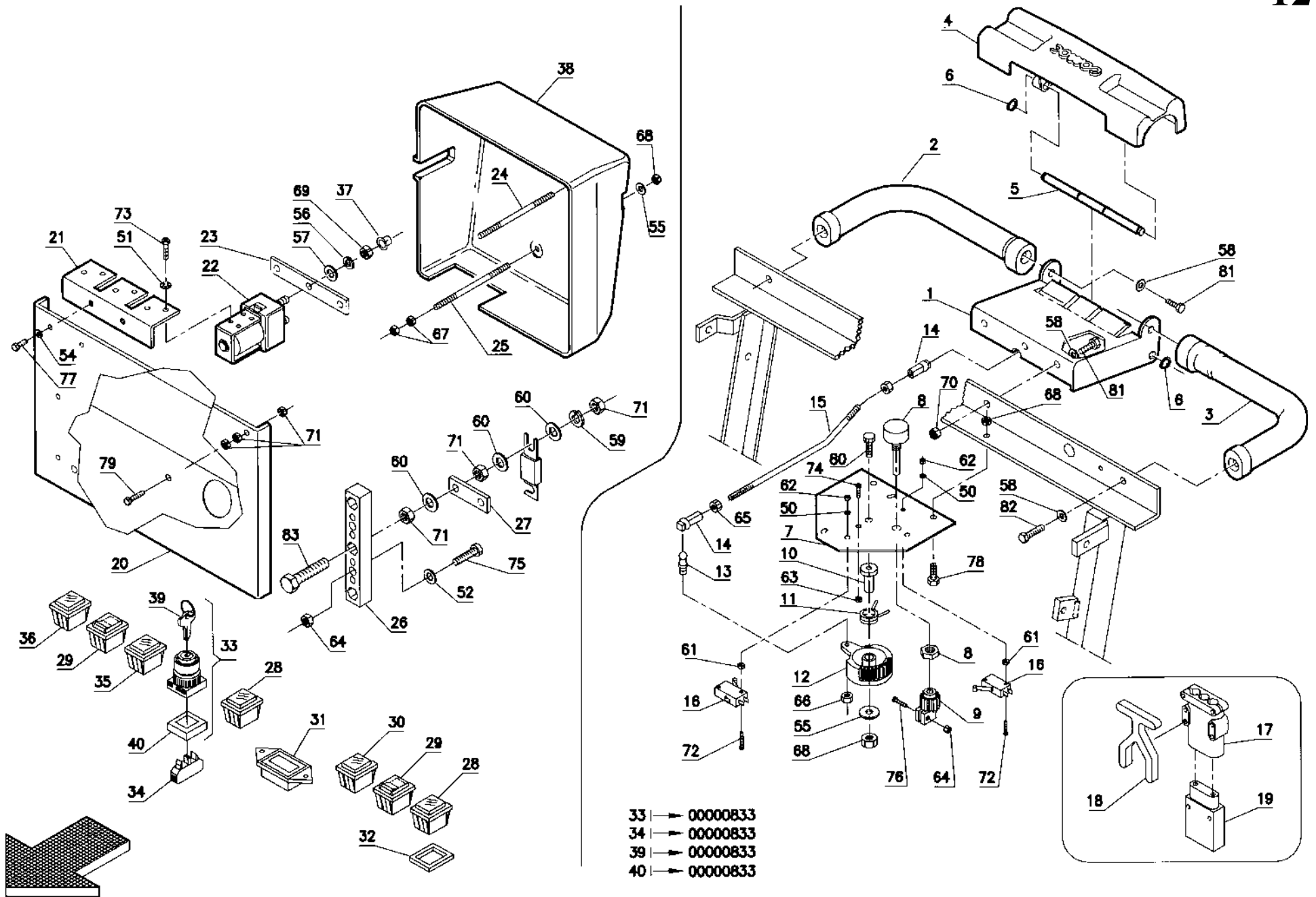


- 1 | 99005029
- 23 | 99001473
- 24 | 99001094
- 25 | 99001094
- 26 | 00003483
- 27 | 00003483
- 28 | 00003483
- 29 | 00003483

DRAWING 11

Item	Part Number	Description	Qty.
1	40716390	Panel	1
2	40316280	Plate	1
3	40716320	Left Support	1
4	40716330	Right Support	1
5	40746080	Panel Left	1
6	40746090	Panel Right	1
7	40746140	Cover Left	1
8	40746130	Cover Right	1
9	40316270	Support	1
10	40346250	Instrument Board	1
11	40746160	Plate	1
12	40346260	Rear Cover	1
13	882440	Hook	1
14	980621	Washer: 5x20	2
15	40716380	Support	1
16	40303040	Spacer	1
17	67400710	Gasket	1
18	72913003	Cap	3
19	66401298	Decal	1
20	883830	Bushing	2
21	74806012	Insert: M5	8
22	74806010	Insert: M6	9
23	40346290	Cover	1
24	67522240	Hose	1
25	886852	Cover	1
26	883841	Fairlead	1
27	72400011	Fuseholder	1
28	72916001	Plaque	1
29	72916002	Cover	1
50	980060	Washer: 5x20	

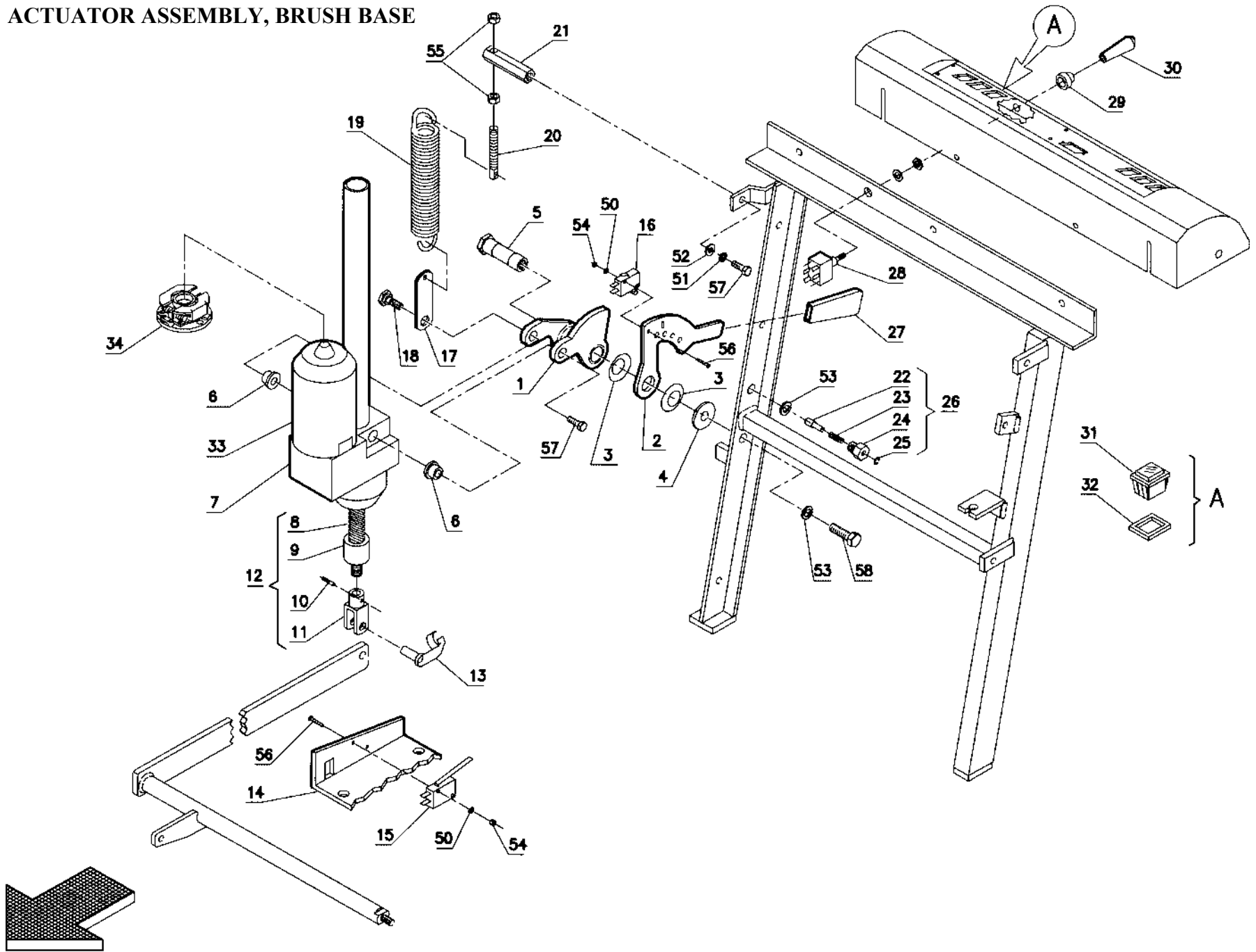
Item	Part Number	Description	Qty.
51	980042	Washer: 6x12	
52	980053	Lock Washer	
53	980039	Washer: 8x17	
54	980043	Washer	
55	71104006	Washer	
56	980069	Washer	
57	980044	Lock Washer	
58	924031	Nut: M4	
59	924029	Lock Nut: M4	
60	924032	Lock Nut: M5	
61	924033	Lock Nut: M8	
62	71050801	Nut: M8	
63	71050503	Nut: M5	
64	964113	Screw: M4x16	
65	70910409	Screw: M4x30	
66	964133	Screw: M5x10	
67	964082	Screw: M5x12	
68	964096	Screw: M5x16	
69	70940503	Screw: M5x20	
70	964107	Screw: M6x16	
71	70910614	Screw; M6x25	
72	70900603	Screw: M6x100	
73	964086	Screw: M8x20	
74	70910806	Screw: M8x22	
75	964111	Screw: M10x25	
76	70940401	Screw: M4x20	
77	74220061	Clamp	
78	980054	Washer: 3x8	
79	71010301	Nut: M3x3	
80	70970301	Screw: M3x10	



DRAWING 12

Item	Part Number	Description	Qty.
1	41628120	Support	1
2	69516030	Handle Bar Right	1
3	69516040	Handle Bar Left	1
4	41628110	Lever	1
5	41628130	Pin	1
6	70230008	Snap	2
7	40328110	Control Base	1
8	72108001	Potentiometer	1
9	41628020	Pinion	1
10	69115070	Bushing	1
11	69230440	Spring	1
12	41628010	Cam Wheel	1
13	74400013	Pin	2
14	74400007	Adjustable Head	2
15	40328100	Tie Rod	1
16	911170	Microswitch	2
17	72700014	Connector for Batteries, Male	1
18	72700015	Lever for Connector	1
19	72700013	Connector for Machine (also Charger)	1
20	40716310	Panel	1
21	40351070	Support	1
22	68430110	Remote Control Switch	3
23	41651020	Bridge	1
24	888440	Stud Bolt	2
25	40136010	Stud Bolt	1
26	72400007	Fuseholder	2
27	41251090	Bridge	1
28	72300111	Signal Lamp Green	2
29	72102005	Switch	2
30	72300117	Battery Warning Light	1
31	72904002	Hour Meter (OPTIONAL)	1
32	883440	Gasket	7
33	72199015	Switch with Keys (GREY COVER)	1
34	72107005	Contact	1
35	882343	Cover	1
36	72300115	Signal Lamp Red	1
37	72913006	Cover	6

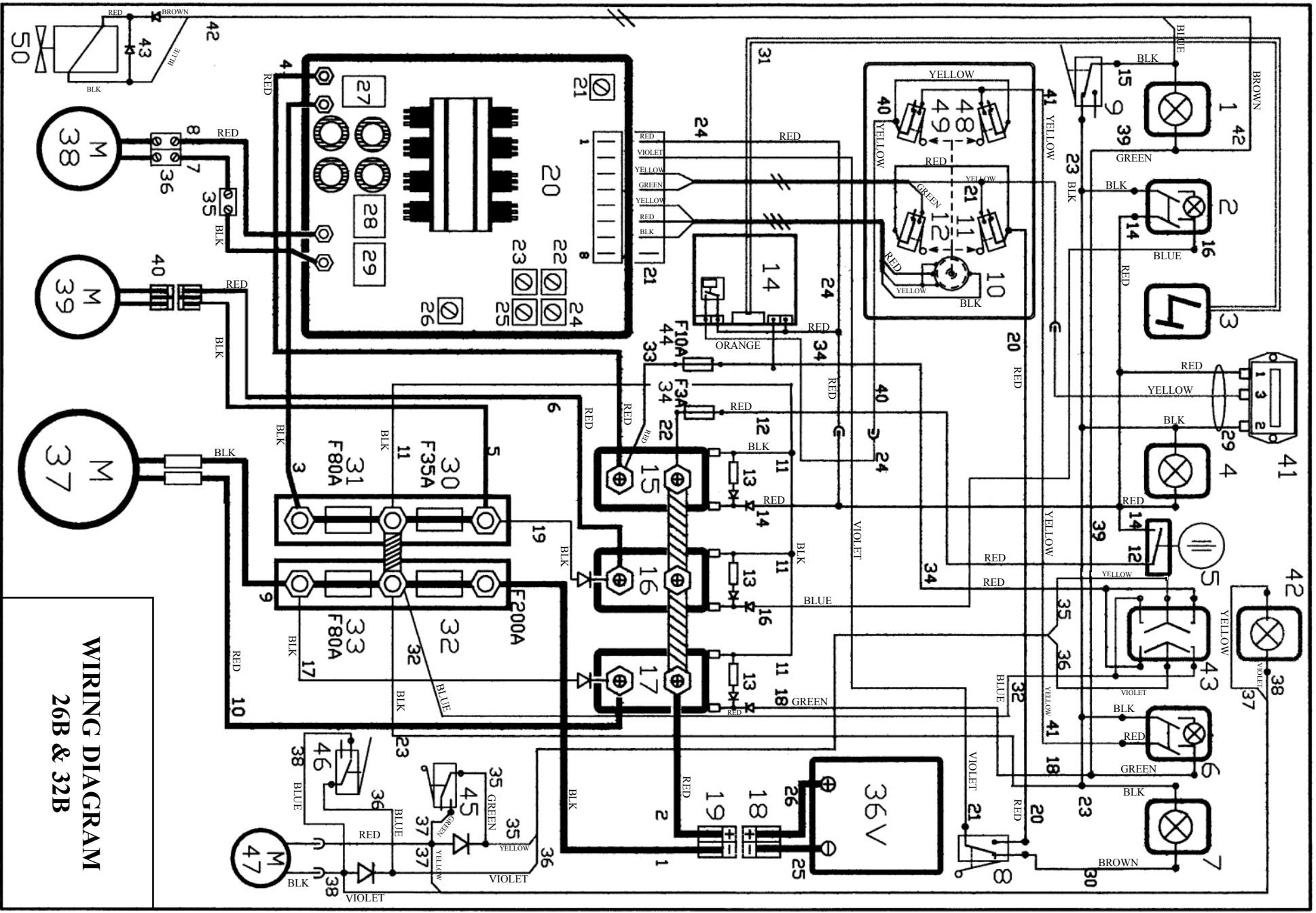
Item	Part Number	Description	Qty.
38	40351060	Protection	1
39	72908017	Keys, Set of Two (GREY COVER)	1
40	72199018	Flange	1
50	980054	Washer: 3x8	
51	980058	Lock Washer	
53	71105003	Washer: 5x15	
54	980042	Washer: 6x12	
55	980040	Washer: 6x18	
56	980069	Lock Washer	
57	71108004	Washer Brass	
58	980039	Washer: 8x17	
59	71110007	Lock Washer	
60	71110010	Washer Brass	
61	924041	Nut Brass: M3	
62	924043	Lock Nut: M3	
63	924031	Nut: M4	
64	924029	Lock Nut: M4	
65	924046	Nut: M5	
66	924032	Lock Nut: M5	
67	924063	Nut: M6	
68	924026	Lock Nut: M6	
69	71010805	Nut Brass: M8	
70	924033	Lock Nut: M8	
71	71011007	Nut Brass: M10	
72	964101	Screw: M3x20	
73	964127	Screw: M4x6	
74	964113	Screw: M4x16	
75	70920406	Screw: M4x20	
76	964070	Screw: M4x20	
77	70910605	Screw: M6x14	
78	964107	Screw: M6x16	
79	964078	Screw: M6x25	
80	70930607	Screw: M6x40	
81	70910803	Screw: M8x16	
82	964086	Screw: M8x20	
83	70911002	Screw: M10x16	
84	70980801	Screw: M8x14	



DRAWING 13

Item	Part Number	Description	Qty.
1	40703290	Support	1
2	40703340	Lever	1
3	71120002	Washer	2
4	40703280	Bushing	1
5	40703310	Pin	1
6	69106020	Bushing	2
7	66200400	Actuator Assembly	1
8	66250010	Threaded Shaft	1
9	66250020	Spacer	1
10	71403001	Spring Pin	1
11	74610002	Fork	1
12	66250040	Shaft	1
13	74620002	Pin	1
14	40716340	Right Support	1
15	72105013	Microswitch-stop brushes up	1
16	72105012	Microswitch-stop brushes down	1
17	40303360	Tie Rod	1
18	40703300	Special Screw	1
19	69220450	Spring	1
20	40212050	Tie Rod	1
21	40703330	Stud Bolt	1
22	40703350	Pin	1

Item	Part Number	Description	Qty.
23	69210580	Spring	1
24	40703360	Bracket	1
25	887341	Snap Ring	1
26	40703400	Pin Assembly	1
27	74100005	Knob, pressure adjustment	1
28	40651110	Commutator	1
29	72908005	Cap	1
30	885044	Knob, up/down actuator	1
31	72300116	Signal Lamp Yellow	1
32	883440	Gasket	1
33	73506201	Motor + Pinion	1
34	73506004	Carbon Brush Holder Assembly	1
50	71103001	Washer: 3x7	
51	980069	Lock Washer	
52	980039	Washer: 8x17	
53	71112006	Lock Washer	
54	924043	Lock Nut: M3	
55	924035	Nut: M8	
56	964101	Screw: M3x20	
57	964086	Screw: M8x20	
58	70911202	Screw: M12x35	



WIRING DIAGRAM
26B & 32B

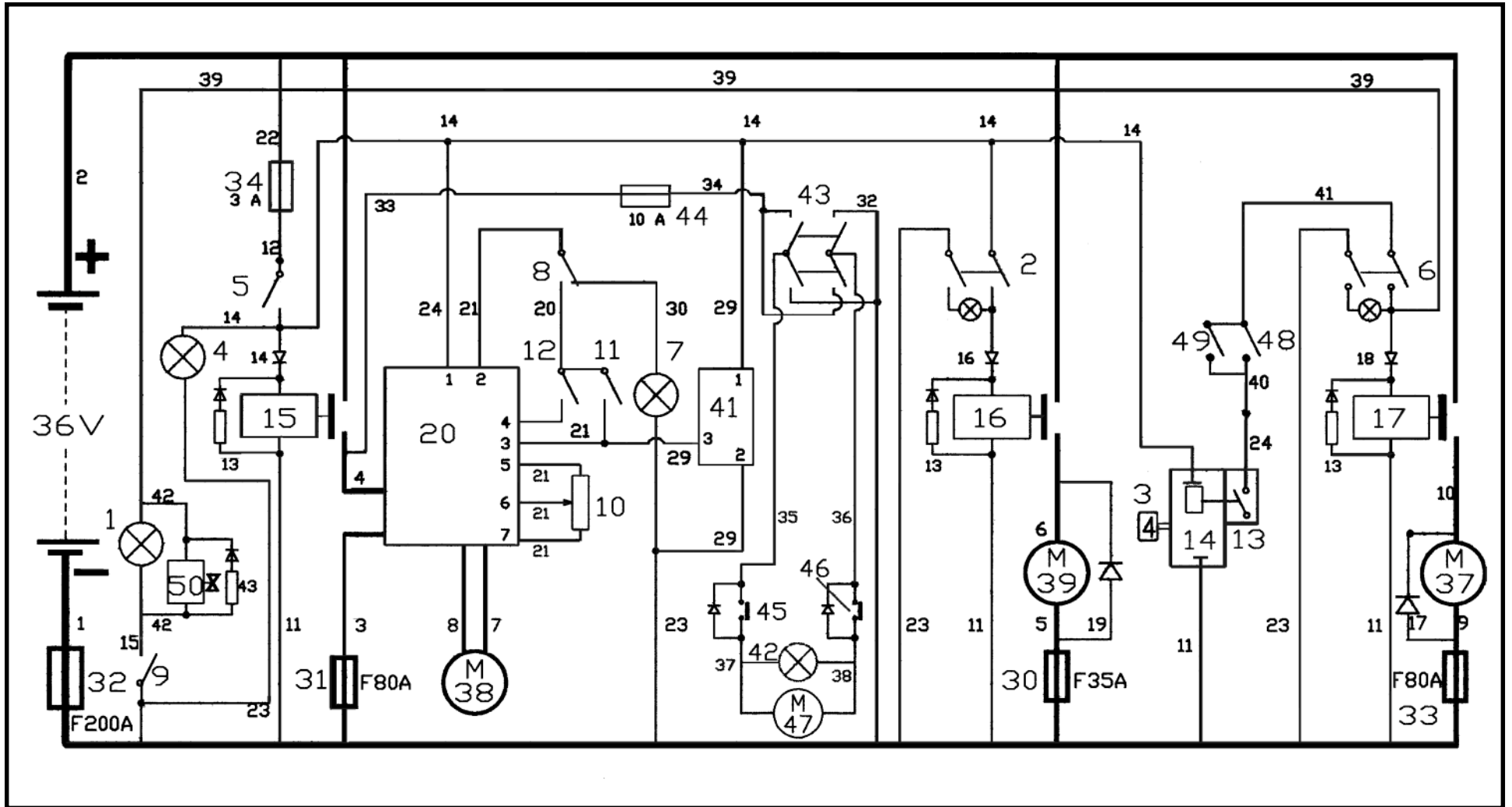
**COMPONENTS - ELECTRICAL SYSTEM
26B & 32B**

Item	Part Number	Description	Qty.	Item	Part Number	Description	Qty.
1	72300111	Indicator Lamp Green		27		Relay General	
2	72102005	Switch with Green Lamp		28		Relay	
3	72300117	Indicator Battery Control		29		Relay	
4	72300111	Indicator Lamp Green		30	72403502	Fuse 35A Suction Motor	
5	72107004	Contact On/Off Key		31	72408001	Fuse 80A Chopper Card	
6	72102005	Switch with Green Lamp		32	72420002	Fuse 200A General Batteries	
7	72300115	Indicator Lamp Red		33	72408001	Fuse 80A Brushes Motor	
8	72105009	Microswitch		34	72400301	Fuse 3A Faston	
9	72105009	Microswitch		35	67200210	Terminal 10x1 Geared Motor	
10	72108001	Potentiometer Drive		36	67200220	Terminal 10x2 Geared Motor	
11	72105001	Microswitch		37	68230900	Brushes Motor 26/32	
12	72105001	Microswitch		38	68200220	Geared Motor W/differential 36V	
14	67903001	Batteries Check Card		39	68130330	Suction Motor	
15	68430110	Remote Control Switch		40	72700007	Double Connector 30A Vac Motor	
16	68430110	Remote Control Switch Suction Mtr		41	72904002	Hourmeter Digital	
17	68430110	Remote Control Switch Brushes Mtr		42	72300116	Indicator Lamp Yellow	
18	72700014	Male Connector 80A		43	40651110	Control Up/Down Brushes	
19	72700013	Female Connector 80A		44	72401001	Fuse 10A Faston	
20	67900041	Chopper Card 36V 70A MOS		45	72105012	Microswitch Stop Brushes Down	
21		Trimmer Regulation Maximum Current		46	72105013	Microswitch Stop Brushes UP	
22		Trimmer Regulation Minimum Volt		47	66200400	Base - Actuator Brush	
23		Trimmer Regulation Acceleration		48	72105001	Microswitch Consent Brush Forward Movement	
24		Trimmer Regulation Maximum Volt		49	72105001	Microswitch Consent Brush Backward Movement	
25		Trimmer Regulation Reduction Reverse Motion		50	68533010	Solenoid Valve 36V 3/8" 14W	
26		Trimmer Regulation Braking					

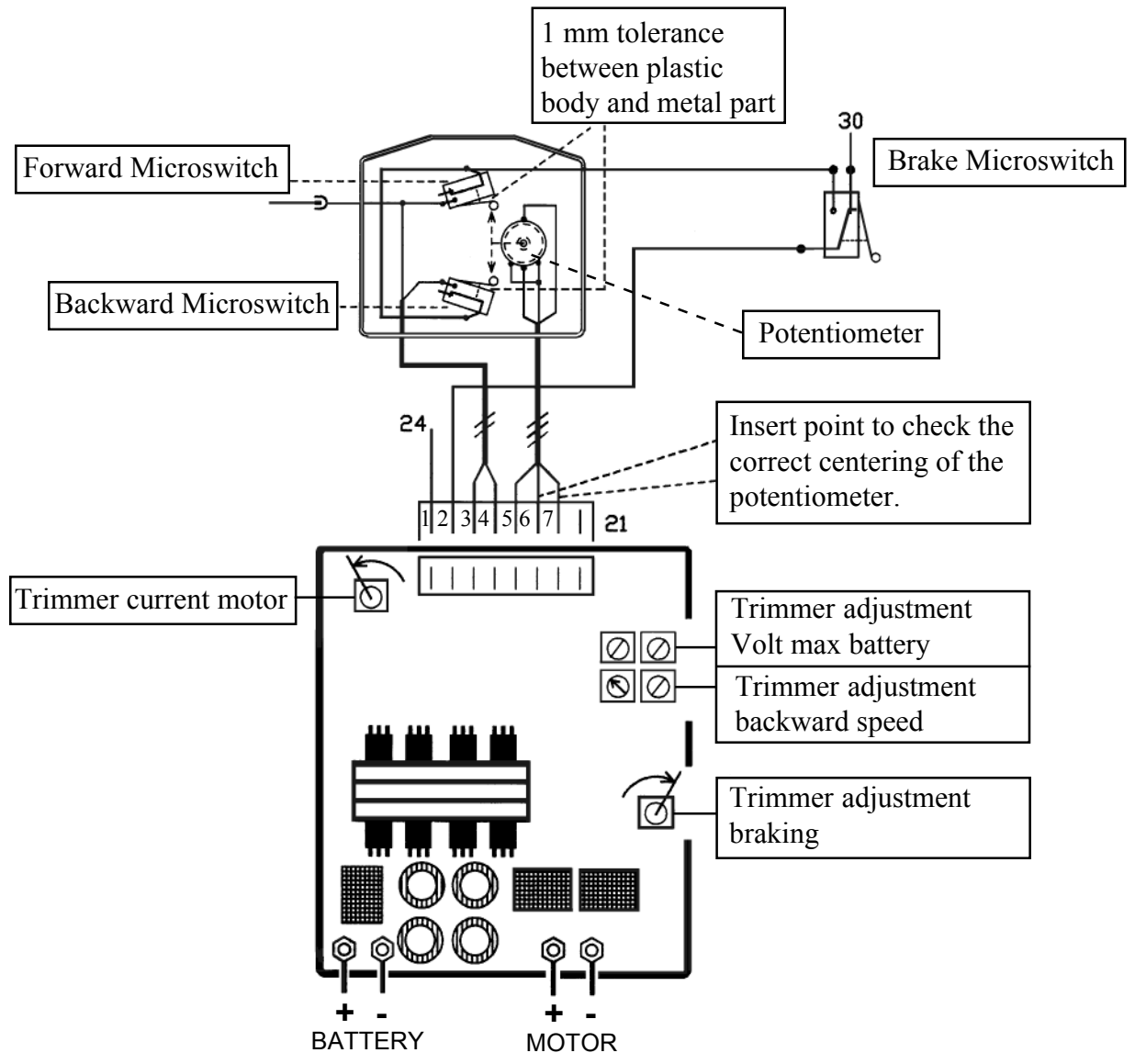
**CABLES - ELECTRICAL SYSTEM
26B & 32B**

Item	Part Number	Description	Qty.	Item	Part Number	Description	Qty.
1-2	68003020	2 Cables Red - Black		25	68003022	2 Cables Red - Black 16x800 - 25-26 with	
3	68001034	Cable Black		26		Connector	
4	68001035	Cable Red		27	68000153	Cable + - Battery W/Screw & Nut	
5-6	68001036	2 Cables Red - Black		28	68000240	Cable + - Battery W/Screw & Nut	
7-8	68001037	2 Cables Red - Black		29	68003012	Cable Hourmeter	
9-10	68003005	2 Cables Red - Black		30	68001067	Cable Brown	
11	68001052	4 Cables Black		31	68000892	Cable Display (Battery Indicator)	
12	68003006	Cable Red		32	68003013	2 Cable Blue	
13	72500016	Diode 270 IN400/with Faston		33	68003014	Cable Red	
14	68003007	4 Cables Red		34	68003015	2 Cables Red	
15	68003008	Cable Black		35	68003016	2 Cables Yellow-Green w/Diode	
16	68003009	Cable Blue		36	68003017	2 Cables Violet-Blue w/Diode	
17	68001043	Cable Black		37	68003018	3 Cables Green-Red- Yellow	
18	68003010	Cable Green		38	68003019	3 Cables Blue-Black-Violet	
19	68001045	Cable Black		39	68003026	Cable Green	
20	68001046	2 Cables Red		40	68003027	2 Cables Yellow	
21	68003021	7 Cables for Chopper Card		41	68003028	2 Cables Yellow	
22	68001066	Cable Red		42	68003029	2 Cables Brown-Blue	
23	68003011	Cable Black		43	72500008	Diode IN4007 with Faston	
24	68001049	4 Cables, Red, Red, Red, Orange					

FUNCTIONAL SCHEMATIC 26B & 32B



CHOPPER CARD 67900041



CHOPPER CARD LED ALARM DESCRIPTIONS
PART NUMBER 67900041

NUMBER OF BLINKS	ALARM DESCRIPTIONS
1	The chopper power section or the drive power switch are already active when the machine is switched on.
2	The forward microswitch is active when the machine is switched on.
3	The backward microswitch is active when the machine is switched on.
4	The potentiometer is not balanced when the machine is switched on ($>0.3V$).
5	The potentiometer is damaged or wrong value at the end of the stroke ($>4.7V$).
6	The forward and backward microswitches are active at the same time.
ALWAYS ON	The thermic protection within the chopper card has opened the circuit.

NOTES:

If an alarm is present when you switch the machine on, the drive system will not work.

Alarms 5, 6 and the thermic protection alarm will stop the machine if they occur while moving.

If more than one alarm has occurred, the first alarm is shown, while the other alarms remain stored. Upon eliminating the first alarm, the next one will be shown.

To reset the system, the potentiometer and the forward and backward microswitches must be released.

ADJUSTMENTS AND INSPECTIONS 26B AND 32B

INSPECTION OF ELECTRICAL EQUIPMENT	Location
<p>Check the functionality of electrical components.</p> <ol style="list-style-type: none"> 1. Disconnect the battery plug. 2. Make sure the battery terminals are clean and tight. 3. Check the power cable connections: remote control switches, fuses, motors, etc. 4. Re-connect the battery connector. 5. Check the signal lamps and the switches: <ul style="list-style-type: none"> Check the brush motor switch and its' signal lamp. Check the solenoid valve switch and its' signal lamp. Check the vacuum motor switch and its' signal lamp. 6. Check the operation of the hourmeter. 	<p>Drawing 12 - Page 24</p>
<p>Check the functionality of the chopper control: forwards, backwards, acceleration and braking.</p> <ol style="list-style-type: none"> 1. If the LED alarm is blinking, consult the descriptions on page 33. 2. If necessary, adjust the chopper card (part number 67900041) as follows: <ol style="list-style-type: none"> a) Using an ohm meter: Insert the pins of the tester between points 6 & 7 (<i>cable 21</i>) of the chopper connector. When the forward and backward microswitches are released, the resistance indicated for each should be similar. The difference should be no more than 10 ohms and the value between 50 and 80 ohms. Verify that the end scale values of the potentiometer are similar. If you have different values, center the potentiometer. First loosen the nut that secures the pinion on the shaft, then rotate the potentiometer's shaft on the pinion. b) Rotate the motor trimmer counterclockwise up to the limit of its stroke. c) Rotate the trimmer for braking clockwise to the limit stop. Check that the machine will stop within one meter (about three foot) after the release of the drive control, when running at the maximum speed. d) Using a voltmeter, connect the pins onto the motor terminals. Then adjust the trimmer for acceleration in order to pass from 0 V to about 36 V in about 3-4 seconds, while moving the acceleration lever to the maximum. Note: Turning trimmer clockwise decreases the acceleration. 	<p>Chopper Card - Page 32</p> <p>Drawing 12-Item 08-Page 24 Drawing 12-Item 64-Page24 Drawing 12-Item 09-Page24</p> <p>Wiring Diagram-Item 21-Pg.28</p> <p>Wiring Diagram-Item 26-Pg.28</p> <p>Wiring Diagram-Item 23-Pg.28</p>

ADJUSTMENTS AND INSPECTIONS 26B AND 32B

Chopper Card Adjustment continued	Location
e) Adjust the trimmer Volt minimum: At the release of the forward and backward microswitches, the motor tension should be set at approximately 3-5 Volts.	Wiring-Item 22-Page 28
f) Adjust the trimmer Volt maximum for battery: At maximum speed, there should be 36 Volts across the motor terminals. This voltage should decrease immediately when the acceleration lever is released.	Wiring-Item 24-Page 28
g) Adjust the trimmer for backward speed: The recommended voltage across the motor terminals when at the maximum backward speed is 18 Volts. Note: Turning the trimmer clockwise increases the speed and counterclockwise decreases the speed.	Wiring-Item 25-Page 28

INSPECTION OF WATER SUPPLY	Location
1. Check the cleanliness and position of the solution filter.	Drawing 10-Item 10-Page 20
2. Fill the solution tank with water.	Drawing 10-Item 01-Page 20
3. Check the hose connections and the water valve.	Drawing 10-Item 06-Page 20
4. Confirm that there is a steady flow of solution water to the floor when the valve is open.	

INSPECTION OF VACUUM ASSEMBLY	Location
1. Check the cleanliness and functionality of the filter and float.	Drawing 09-Item 03-Page 18 Drawing 09-Item 04-Page 18
2. Check the air seal of the cover on the recovery tank.	Drawing 09-Item 08-Page 18

ADJUSTMENTS AND INSPECTIONS 26B AND 32B

INSPECTION OF VACUUM ASSEMBLY CONTINUED	Location
3. Check the vacuum hose and the squeegee hose connections.	Drawing 09-Item 11-Page 18 Drawing 08-Item 19-Page 16
4. Check the cleanliness and the tightness of the squeegee hose on the tank outlet.	Drawing 08-Item 19-Page 16
5. Make sure the drain hose and plug are securely attached.	Drawing 08-Item 23-Page 16

SQUEEGEE ADJUSTMENT	Location
1. First loosen the height adjusting knobs.	Drawing 06-Items 10-Page 12
2. The rear squeegee blade's inclination can be adjusted in its' center section by turning the adjuster knob. This adjustment is provided in order to obtain even bending across the whole blade.	Drawing 06-Item 13-Page 12
3. The distance from the floor to the squeegee is adjusted by changing the height of the wheels using two knobs. Turn clockwise to lift the squeegee and counterclockwise to lower it. The blade should be uniformly tilted backwards along its'whole length. Its' angle should be around 30° to 45°.	Drawing 06-Items 10-Page 12
4. Check the lifting height, if necessary adjust the tie rod/adjuster, then tighten the nuts.	Drawing 06-Item 16-Page 12 Drawing 06-Item 58-Page 12

BRUSH ADJUSTMENT	Location
1. With the brush base down, adjust the traction springs of the motor to the length of 86 to 90 mm (3.4 to 3.5 inches) from the inside of the screw to the end of the spring.	Drawing 03-Item 13-Page 6 Drawing 03-Item 68-Page 6

ADJUSTMENTS AND INSPECTIONS

26B AND 32B

BRUSH ADJUSTMENT CONTINUED	Location
<p>2. The rear section of the brushes should touch the floor at the same time. The front of the brushes should be about 5 to 8 mm (0.2 to 0.3 inches) higher than the rear section. Adjust the support forward or backward if necessary. Also adjust the screw limit stop to avoid any moving part touching the support.</p> <p>Note: If the front of the brushes are too high, the machine will pull to the right and it lead to uneven brush wear.</p>	<p>Drawing 01-Item 04-Page 2</p>
<p>3. Adjustment of the two lift arms and pressure springs: Turn the screw in each fork to adjust the spring compressions to 78 to 80 mm (about 3.1 inches). Tighten the nuts.</p>	<p>Drawing 03-Item 11-Page 6 Drawing 03-Item 19-Page 6 Drawing 03-Item 15-Page 6 Drawing 03-Item 16-Page 6 Drawing 03-Item 18-Page 6</p>
<p>4. With the brush base lifted adjust the screw M10 (rest arm support) so the brush base cover doesn't touch the tank or the frame. Tighten the nut.</p>	<p>Drawing 03-Item 71-Page 6 Drawing 01-Item 27-Page 2</p>

ACTUATOR ADJUSTMENT	Location
<p>1. Bend the metallic lever of the microswitch so that the brush base rise is stopped when the control lever is approximately 5 mm (0.2 inches) from the microswitch support.</p>	<p>Drawing 13-Item 15-Page 26 Drawing 03-Item 05-Page 6 Drawing 13-Item 14-Page 26</p>
<p>2. Utilize the maximum pressure notch on the adjustment lever. Then lower the brush base until the microswitch of the limit stop releases. Now verify that the worm still has 10 mm (0.4 inches) of run. If not, adjust the preloading on the spring tie rod.</p>	<p>Drawing 13-Item 02-Page 26 Drawing 13-Item 16-Page 26 Drawing 13-Item 08-Page 26 Drawing 13-Item 20-Page 26 Drawing 05-Item 58-Page 10</p>

ADJUSTMENTS AND INSPECTIONS 26B AND 32B

BRAKE ADJUSTMENT	Location
1. Handbrake: The distance from the lever to the microswitch should be no more than 3 to 4 mm. To obtain, adjust the length of the brake cable.	Drawing 05-Item 10-Page 10 Drawing 05-Item 09-Page 10 Drawing 05-Item 05-Page 10
2. Brake Pads: With the brake on, check the braking uniformity by turning the machine both left and right. The wheels should be equally blocked. Tighten the adjuster nuts.	Drawing 05-Item 02-Page 10

OIL FOR GEARS	Location
1. Geared Traction Motor: The oil level should reach the transparent cap oil level. Add Shell Omala 220 if necessary, 0.25-0.35 liters.	Drawing 04-Item 01-Page 8
2. 32B Only - Reduction Gears Assembly: The oil level should reach the transparent cap oil level. Add Shell Omala 460 if necessary, 0.35kg.	Drawing 02-Item 25-Page 4

FINAL INSPECTION	
Check all the basic functions of the machine: washing, drying, forward and backward movement.	

SERVICE LOG

WARRANTY POLICY

PACIFIC LIMITED WARRANTY

The **Pacific** ScrubMaster has been manufactured, tested and inspected in accordance with specific engineering requirements. This machine is WARRANTED to be free from defects in workmanship and materials for periods as follows from the date of purchase.

Ten (10) Years Parts, One (1) Year Labor – Polyethylene Components

Two (2) Years Parts, One (1) Year Labor – Brush Drive Motors

Five (5) Years Parts, One (1) Year Labor – Main Frame

One (1) Year Parts & Labor – All other components unless excluded below

Travel time for warranty repair is authorized for a period of ninety (90) days following the date of sale to the end user, with a maximum of three (3) hours per claim.

This warranty extends to the original user/purchaser and only when used, operated and maintained in accordance with **Pacific** Operating and Maintenance instructions.

This warranty does not apply to certain wear parts and accessories of the machine such as electrical cords, carbon motor brushes, floor brushes, belts, hoses, tools, squeegee blades, etc., nor does it apply to damage or failure caused by improper use, abuse or neglect. Warranty credit or replacement of return parts including motors, pumps, etc., is subject to incoming inspection of those items.

To secure repair under this warranty, the following procedure should be taken:

1. After the expiration of the ninety (90) day travel time warranty period, the customer is responsible for warranty travel payment or the inoperative machine or warranted parts must be delivered to the authorized dealer with shipping and delivery charges prepaid. If unable to locate the Dealer, you may contact **Pacific** at the address listed herein for the location of the nearest **Pacific** repair center or agent or for other instructions pertaining to your warranty difficulty.
2. Upon compliance with the above warranty procedure, all warranted repairs will be completed at no additional charge or cost to the user.
3. Only **Pacific** or its authorized dealers and agents may make no charge warranty repairs on this product. All others do so at their own risk.

This warranty limits **Pacific** liability to the repair of the product and/or warranted parts replacement and does not include incidental or consequential damages arising from the use of a **Pacific** machine whether defective or not.

BATTERY WARRANTY

In addition to the terms above, any original equipment Pacific Steamex Battery which becomes unserviceable under normal use within a period of ninety (90) days from date of sale to the original user will be repaired or replaced with one of equal specification at our option, F.O.B. any authorized Pacific or Service Branch, with no charge to user, except transportation costs. After the expiration of the above ninety (90) day period, any battery which fails under normal use will be adjusted to the original user with a new battery of equal specification on a twelve (12) month pro rata basis from the date of purchase. Adjustment will be determined using the then current list price, plus transportation costs. Warranty is rendered null and void if battery is not kept filled to the proper level with DISTILLED WATER.

This warranty is in lieu of all other expressed or implied warranties and is extended to the original purchaser/user.

PACIFIC

2259 Sheridan

Muskegon, Michigan 49442

Ph: (800) 968-1332 Fax: (231) 773-1642

www.nextwaveofclean.com