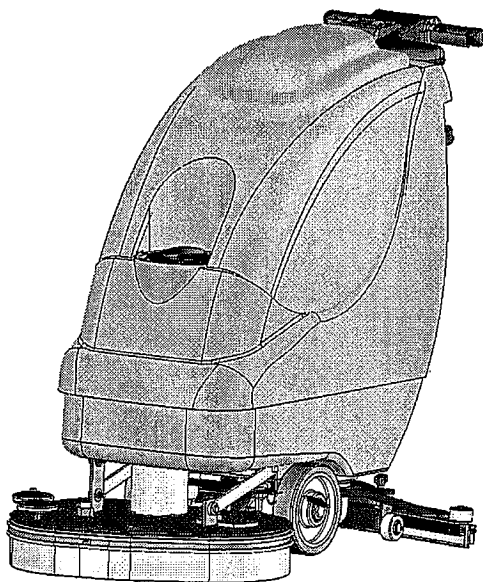


Proteus 210E

Parts List

PACIFIC



The contents of this manual are based on the latest product information available at the time of publication. Pacific Steamex reserves the right to make changes or improvements to its machines without notice.

Carefully inspect all components to ensure that there is no concealed freight damage. If such damage is discovered, file a "CONCEALED DAMAGE REPORT" immediately with the delivering carrier.

For new manuals write to:

Pacific
2259 S. Sheridan
Muskegon, MI 49442-6252

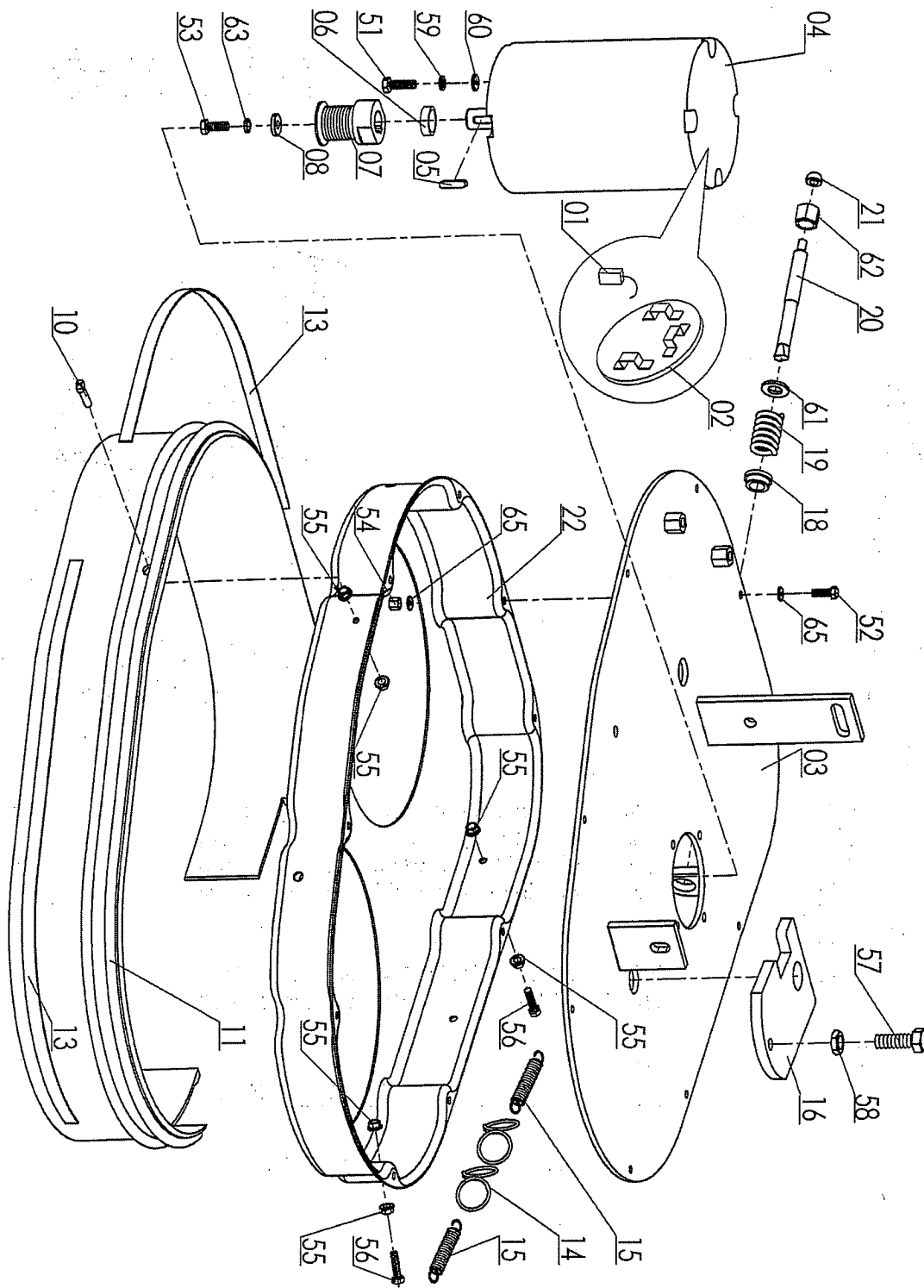
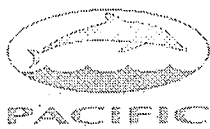
or download the most recent version of the manuals from our website:

www.pacificfloorcare.com

FOR YOUR CONVENIENCE, RECORD THE FOLLOWING IMPORTANT INFORMATION:

SERIAL NUMBER

DATE PURCHASED



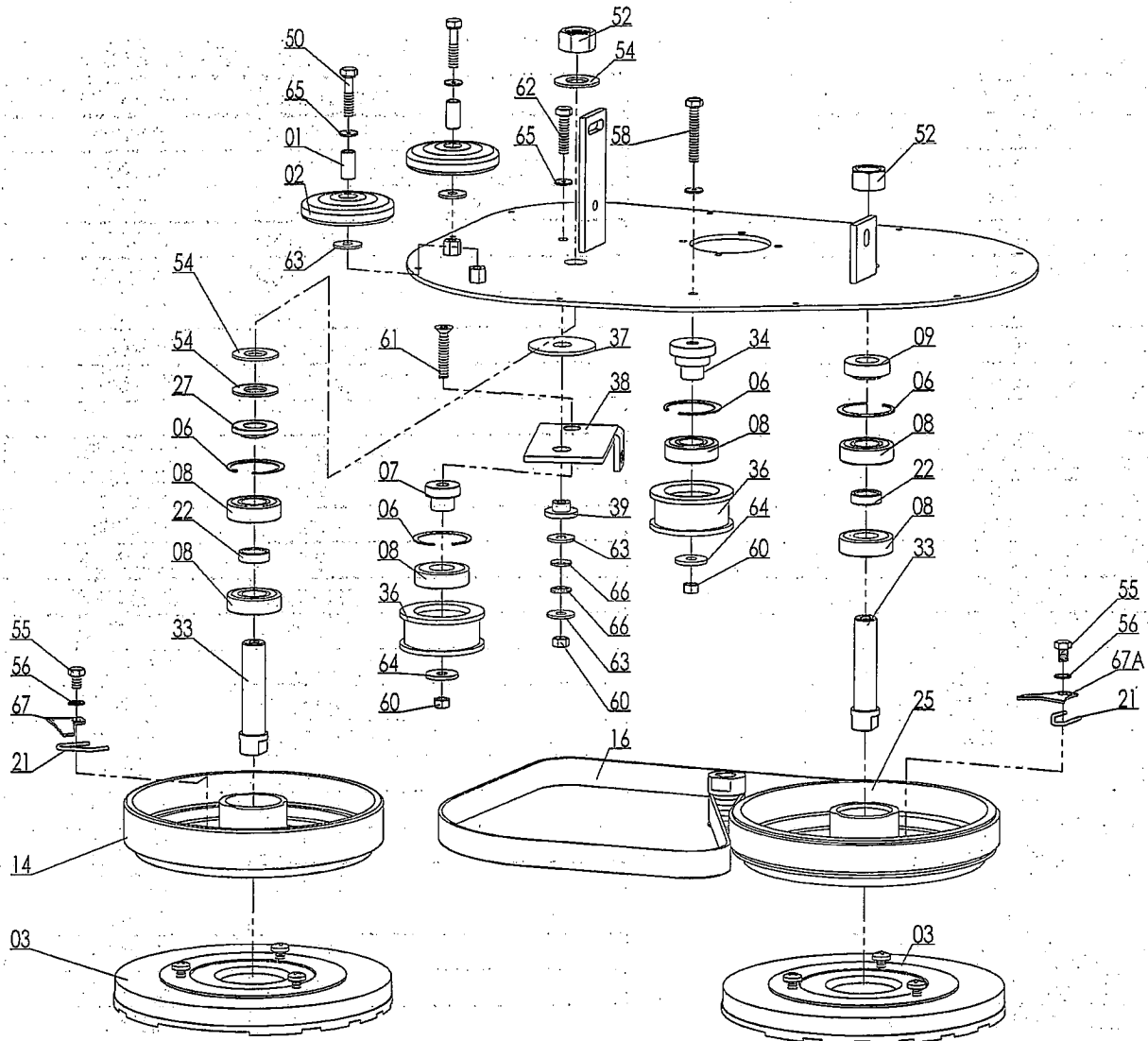


BRUSH BASE ASSEMBLY		
Item	Part number	Description
1	860906	CARBON BRUSH MOTOR
2	864002	CARBON BRUSH HOLDER
3	861315	BRUSH BASE - BLUE
4	865209	MOTOR
5	885030	KEY
7	69420120	PULLEY
8	40504040	SPECIAL WASHER
10	40301120	SPECIAL SCREW
11	67624020	SPLASH GUARD
13	41301040	BLADE CLAMP
14	887350	CHAIN
15	888336	SPRING
16	41501010	PLATE
18	69104030	BUSHING
19	69210020	SPRING
20	40501080	ADJUSTER
21	69104040	BUSHING
22	862308	BASE COVER - BLUE
51	964090	BOLT
52	964062	BOLT
53	964116	BOLT
54	924032	LOCK NUT
55	924051	NUT
56	964118	SCREW
57	70911006	SCREW
58	924053	NUT
59	980658	LOCK WASHER
60	980040	WASHER
61	980064	WASHER
62	924055	LOCK NUT
63	71106009	LOCK WASHER
65	980066	WASHER

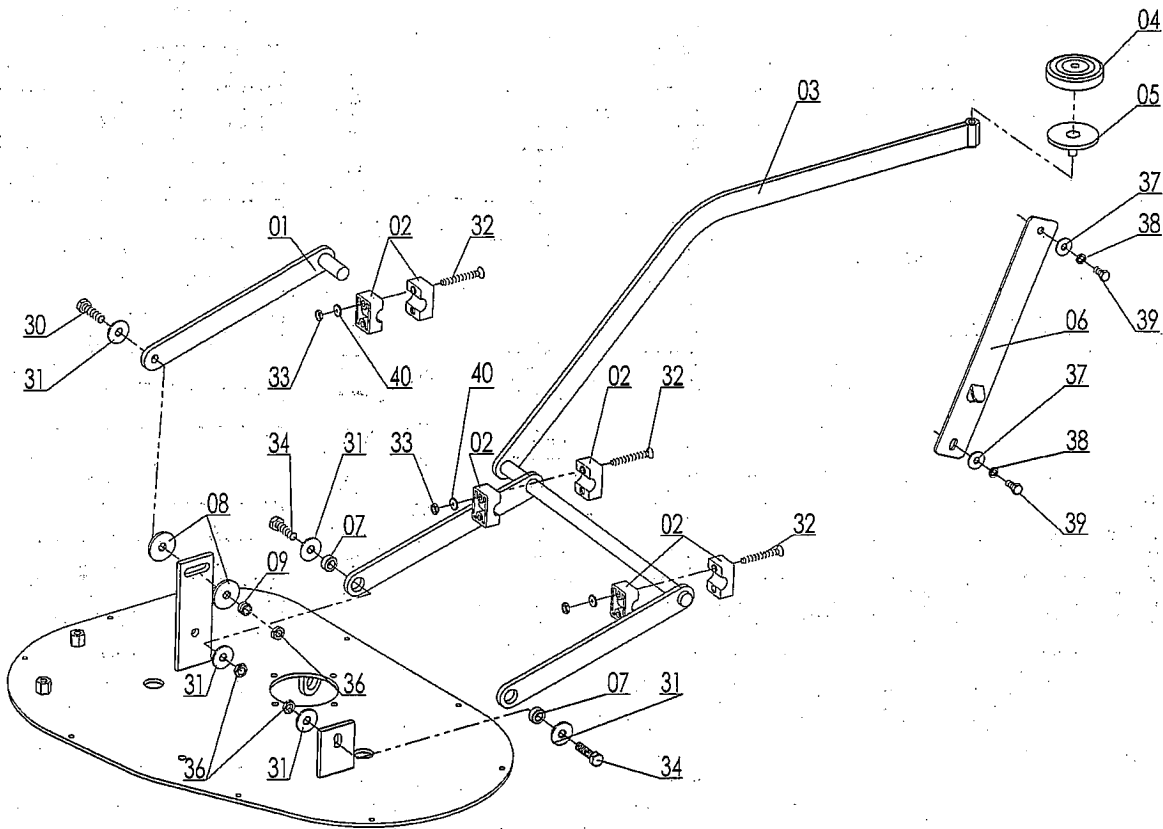
Brush Drive Assembly



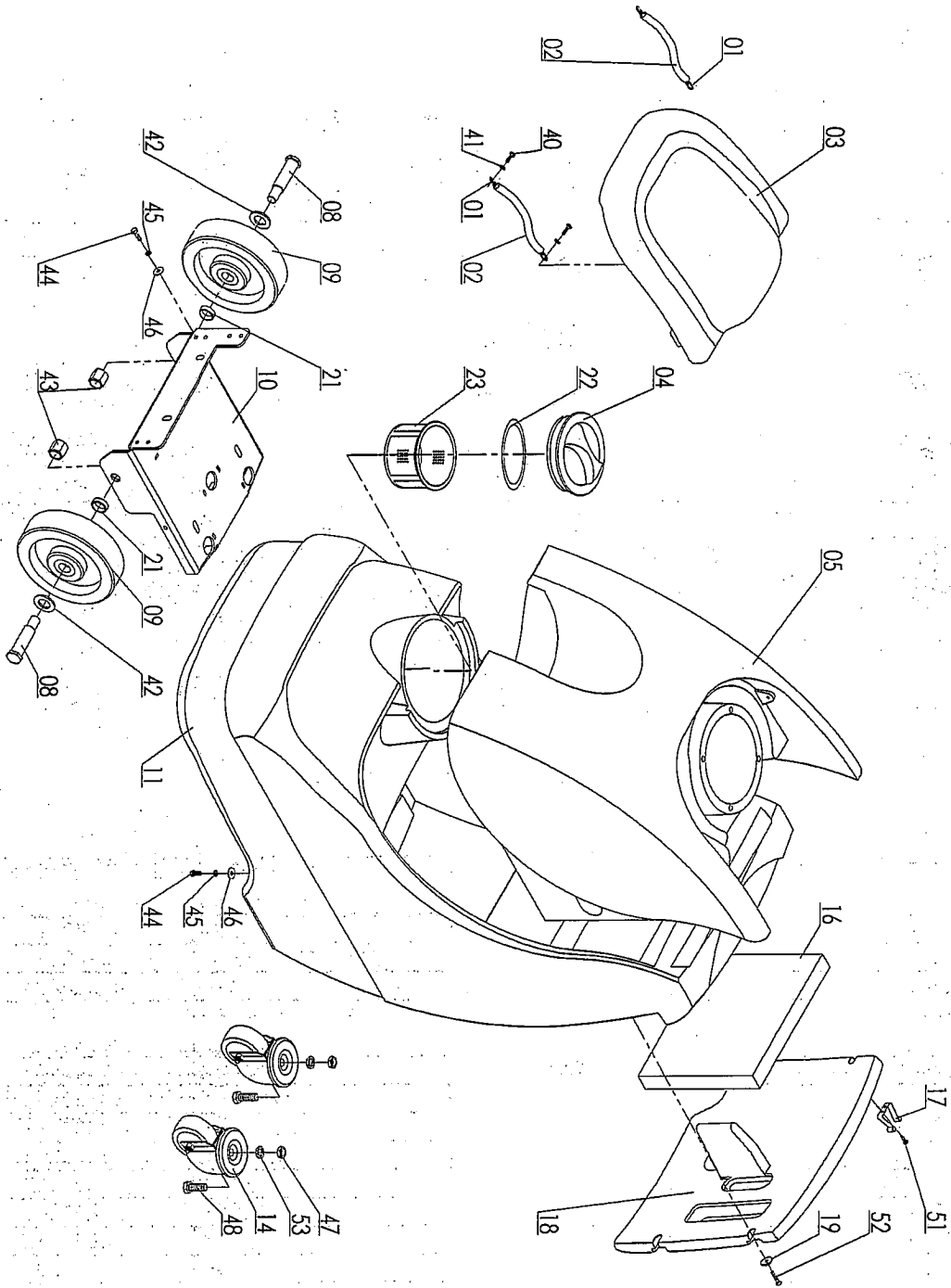
Drawing 2



BRUSH DRIVE ASSEMBLY						
Item	Part number	Description	Item	Part number	Description	
1	69102110	BUSHING	38	40501040	ARM	
2	67020030	WHEEL	39	69104020	BUSHING	
3	885950	PAD DRIVER	50	70910834	SCREW	
3 (OPTIONAL)	66808040	BRUSH - POLY	52	71022001	LOCK NUT	
6	887351	RETAINING RING	54	71120001	WASHER	
7	40801020	PIN	55	964098	SCREW	
8	902033	BEARING	56	980058	LOCK WASHER	
9	888253	SPACER	58	964084	SCREW	
14	69430100	PULLEY	60	924033	LOCK NUT	
16	881352	BELT	61	70980812	SCREW	
21	69230310	SPRING	62	70910834	SCREW	
22	69007010	SPACER	63	980044	WASHER	
25	69420150	PULLEY	64	980070	WASHER	
27	888254	SPACER	65	980039	WASHER	
33	40501010	SHAFT	66	71308004	SPECIAL WASHER	
34	40801030	PIN	67	41301100	PLATE	
36	69430150	WHEEL	67A	41301090	PLATE	
37	40501050	WASHER				

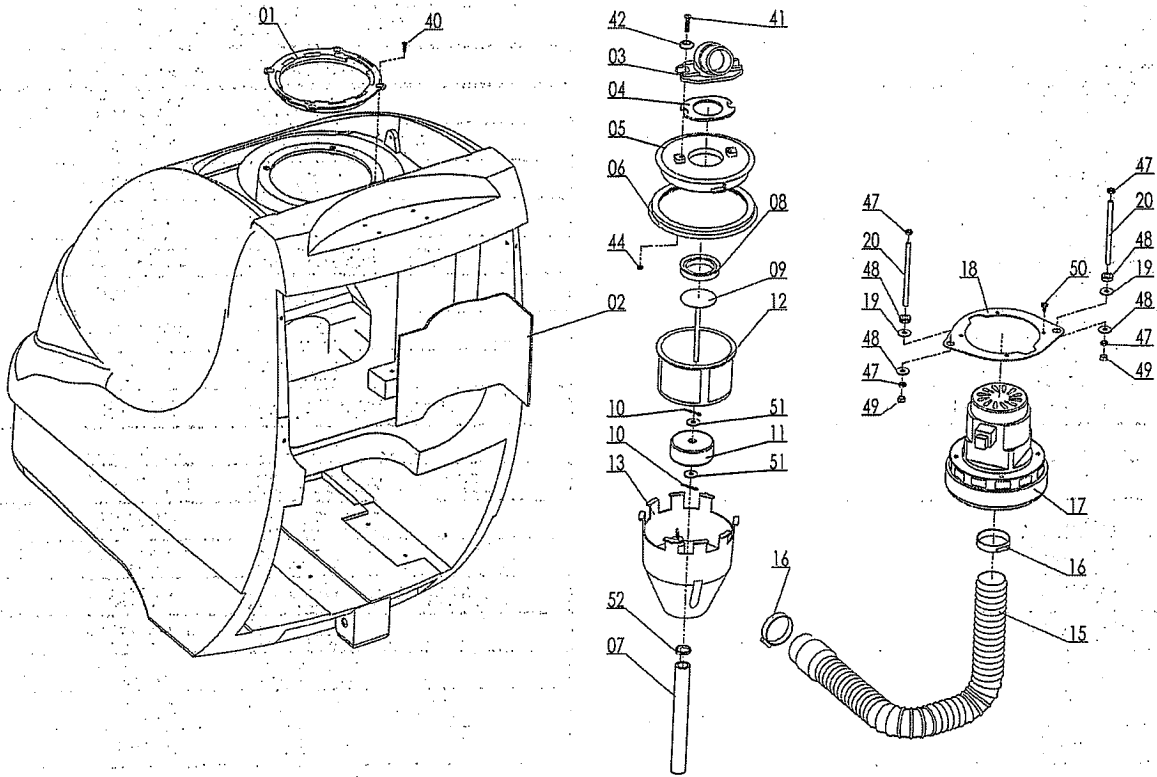


BRUSH CONTROL ASSEMBLY		
Item	Part number	Description
1	42403020	ARM
2	.882043	PIVOT SUPPORT
3	42403010	ARM
4	42218020	PEDAL COVER
5	42403050	PEDAL
6	42403030	GUIDE
7	69105100	BUSHING
8	71108010	WASHER
9	69210360	SPRING
30	70910813	SCREW
31	980044	WASHER
32	70970605	SCREW
33	924026	LOCK NUT
34	964085	SCREW
36	924033	LOCK NUT
37	980040	WASHER
38	71106009	LOCK WASHER
39	964107	SCREW
40	980641	WASHER





FRAME ASSEMBLY & TANKS		
Item	Part number	Description
1	42436010	CHAIN
2	67404280	CHAIN COVER
3	42446020	COVER
4	886844	COVER
5	69724020	RECOVERY TANK
8	42417010	AXLE BOLT
9	67010300	WHEEL
10	863206	FRAME
11	868603	SOLUTION TANK
14	67050110	CASTER WHEEL
16	67101500	DEADENING PANEL
17	882440	HOSE CLIP
18	42446010	REAR PANEL
19	980621	SPECIAL WASHER
21	69007010	SPACER
22	883444	WASHER
23	883343	FILTER BASKET
40	964065	SCREW
41	980071	WASHER
42	924030	WASHER
43	71021601	LOCK NUT
44	964116	SCREW
45	71106009	LOCK WASHER
46	71106006	WASHER
47	71021203	NUT
48	70911202	SCREW
49	964063	SCREW
51	70944203	SCREW
52	70950502	SCREW
53	71112004	LOCK WASHER

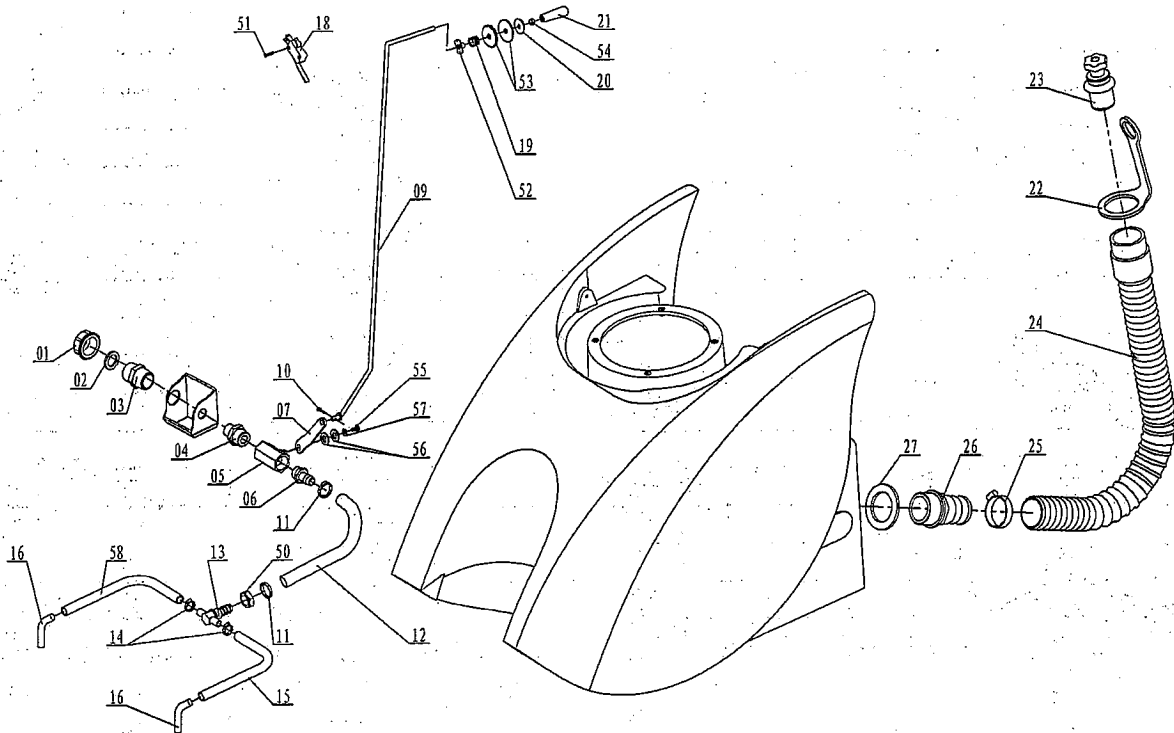


VACUUM ASSEMBLY		
Item	Part number	Description
1	42036030	FILTER HOLDER
2	67101490	DEADENING PANEL
3	882442	VACUUM INLET
4	883446	GASKET
5	886841	CAP
6	883441	GASKET
7	67522840	HOSE
8	883442	GASKET
9	887440	LEVER
10	925603	COTTER PIN
11	883344	FLOAT
12	883343	FILTER
13	888551	SPLASH GUARD
15	67512670	VACUUM HOSE
16	S611A	CLAMP
17	865207	VACUUM MOTOR
18	42441010	PLATE
19	883830	GROMMET
20	40136010	STUD BOLT
40	964063	SCREW
41	964105	SCREW
42	980060	SPECIAL WASHER
44	924029	LOCK NUT
47	924026	LOCK NUT
48	980042	WASHER
49	924063	NUT
50	70944801	SCREW
51	980657	WASHER
52	869231	CABLE TIE

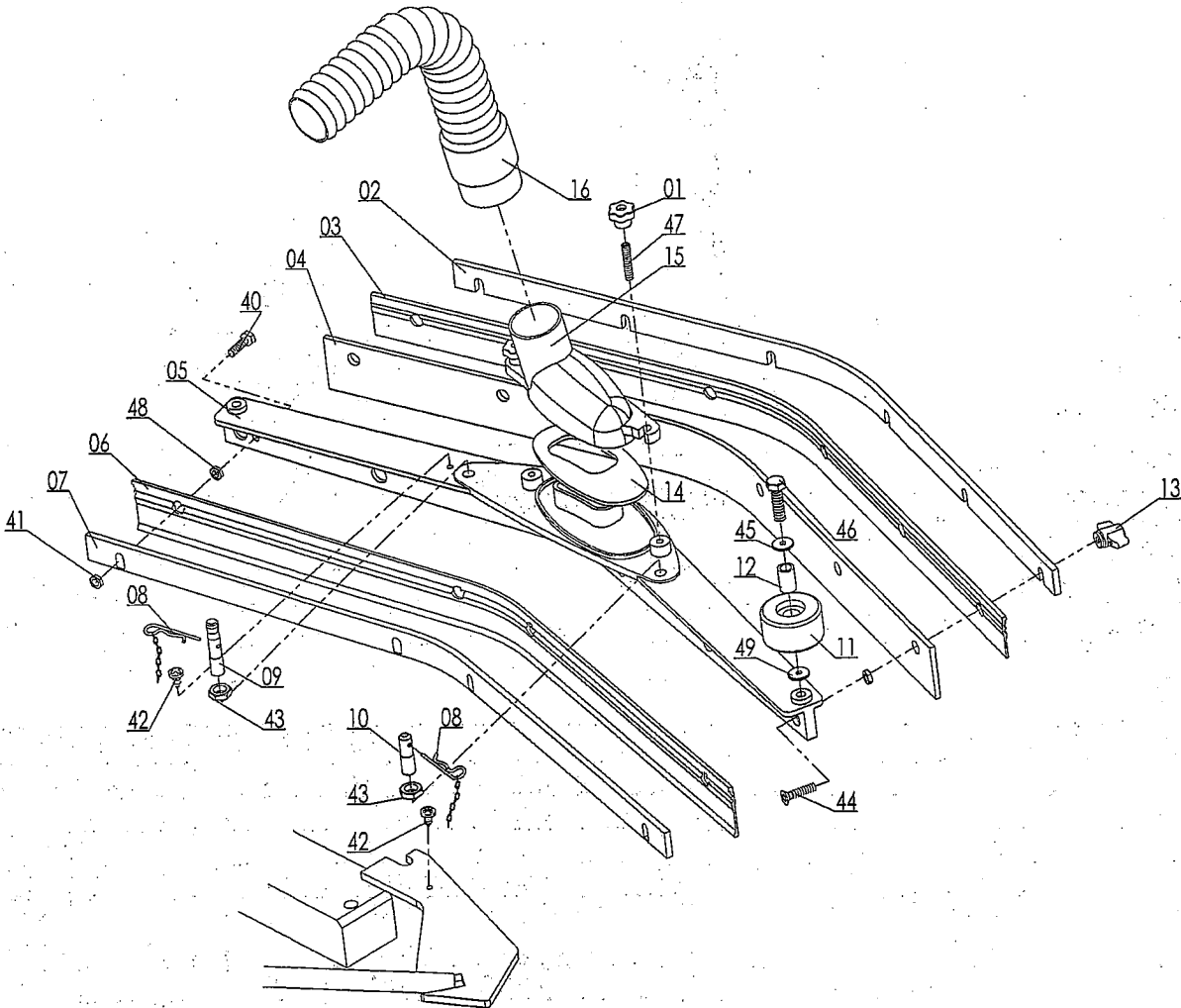
Water Control Assembly



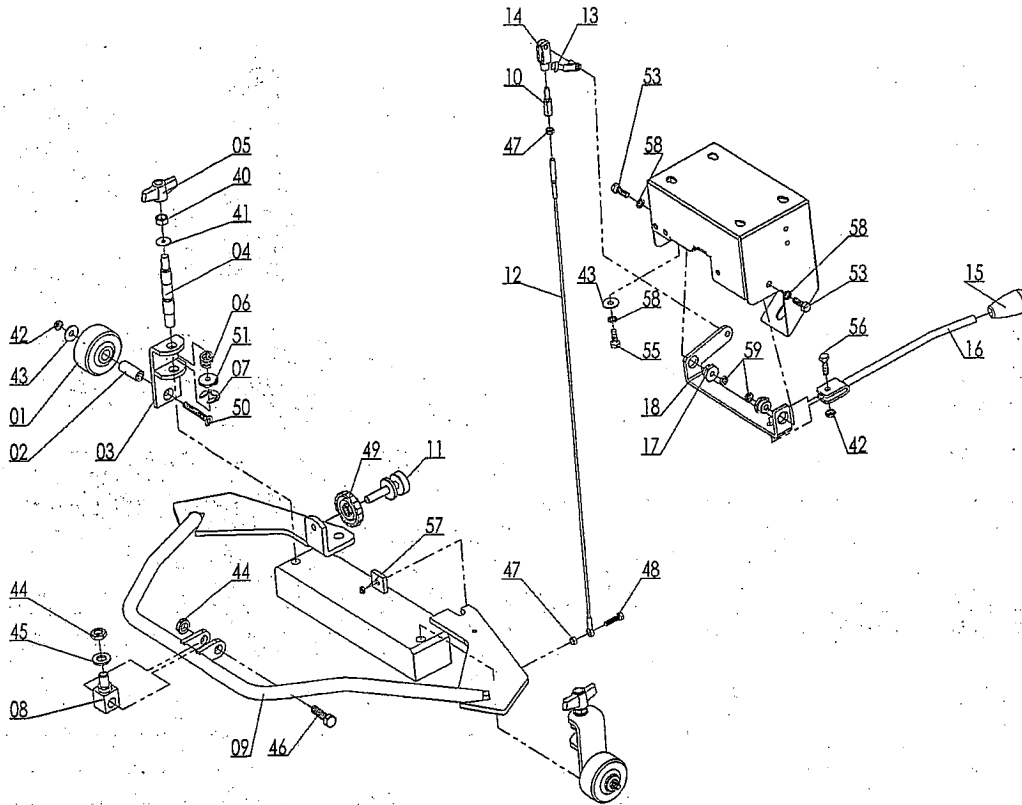
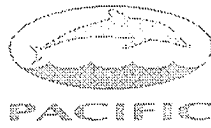
Drawing 6



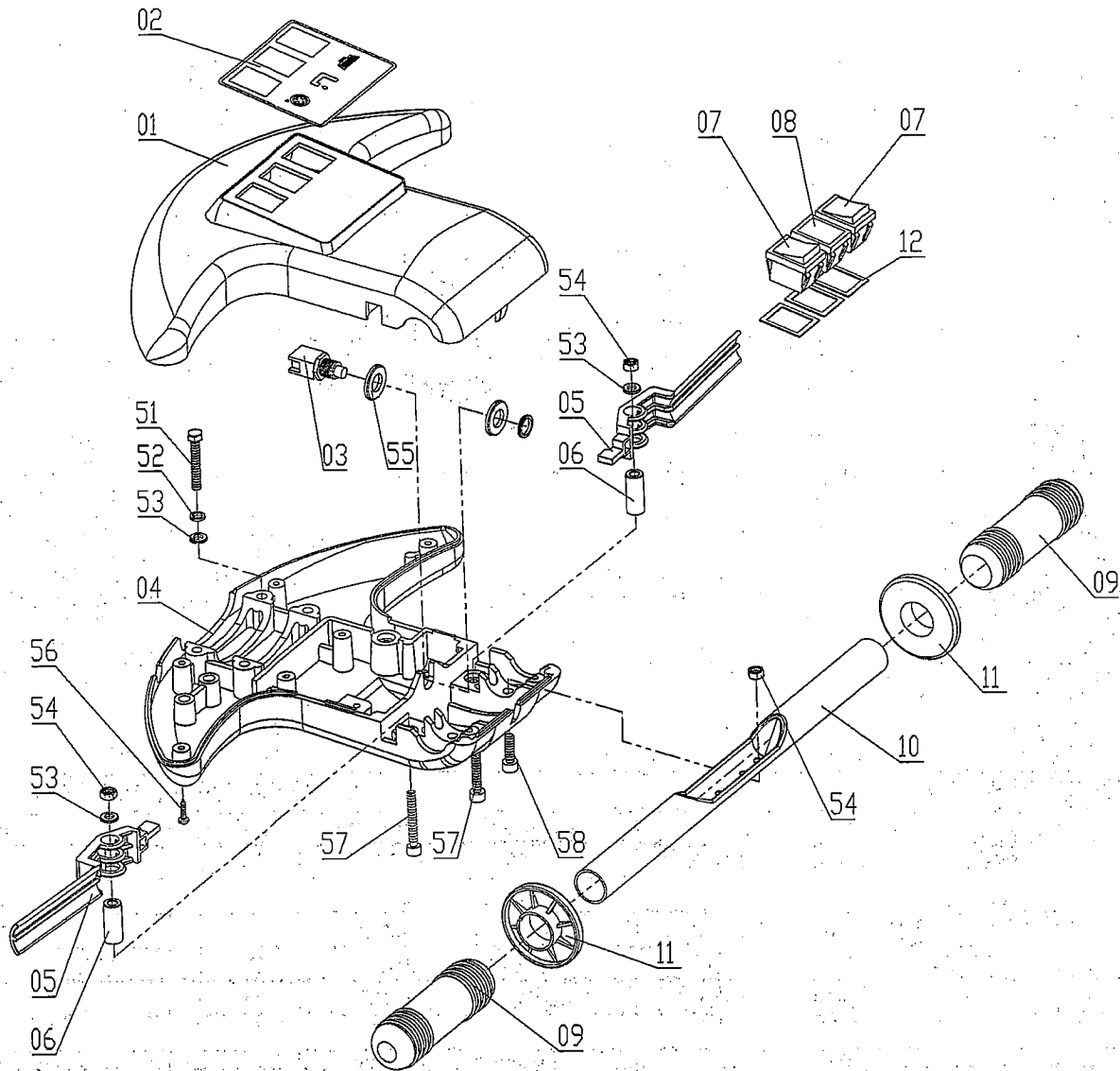
WATER CONTROL ASSEMBLY					
Item	Part number	Description	Item	Part number	Description
1	74550009	CAP	20	980621	CUSTOM WASHER
2	67400640	GASKET	21	885044	KNOB
3	74560004	NIPPLE	22	42341010	CLAMP
4	865702	NIPPLE	23	42436030	SWELL PLUG
5	869405	VALVE	24	67512580	DRAIN HOSE
6	863308	FITTING	25	S611A	CLAMP
7	865141	LEVEL	26	74540036	CONNECTOR
9	42437010	ROD	27	67406180	GASKET
10	71600003	COTTER PIN	50	71011402	NUT
11	S453P	CLAMP	51	70942901	SCREW
12	67523400	PIPE	52	924051	NUT
13	41337030	FITTING	53	980061	WASHER
14	74210004	CLAMP	54	924046	NUT
15	67523370	TUBING	55	964127	SCREW
16	42401010	PIPE	56	980070	WASHER
18	72105003	SWITCH	57	980640	WASHER
19	69210360	SPRING	58	864112	TUBING



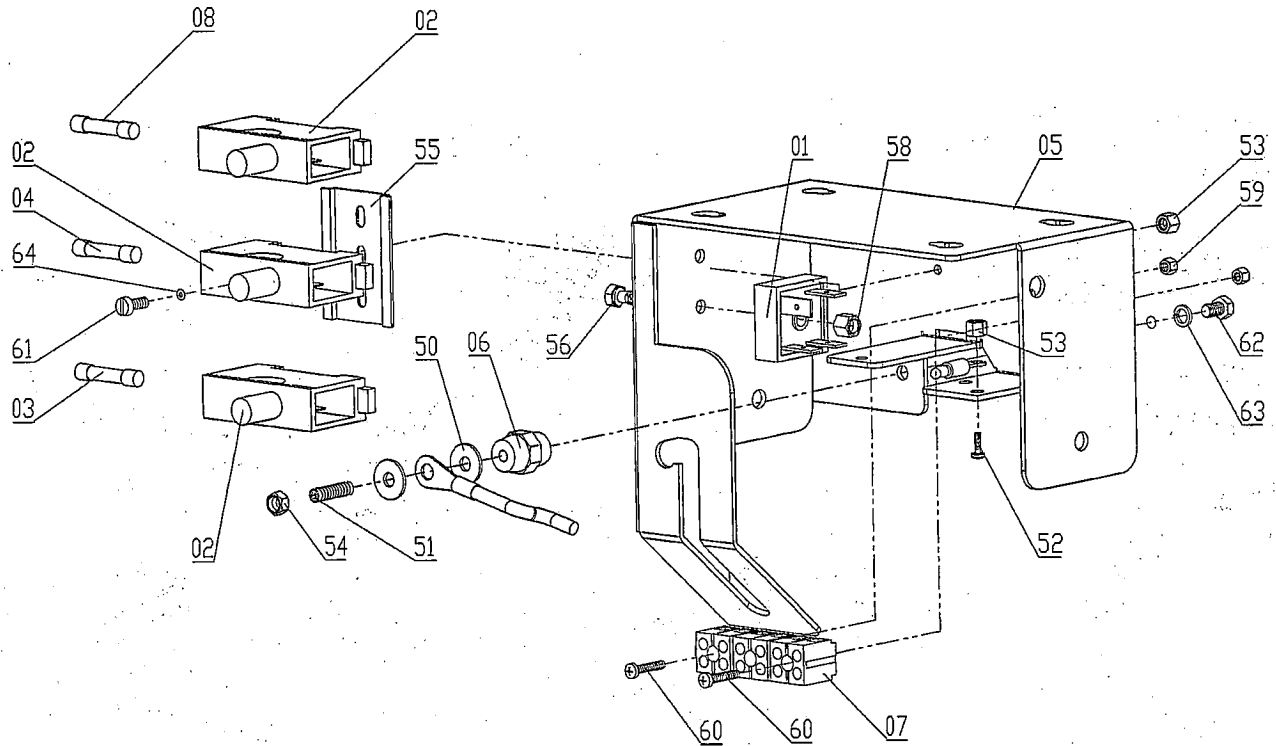
SQUEEGEE ASSEMBLY					
Item	Part number	Description	Item	Part number	Description
1	885046	KNOB	14	67406200	GASKET
2	68820020	CLAMP BLADE	15	880240	VACUUM PORT
3	880740	REAR RUBBER BLADE	16	67512410	VACUUM HOSE
4	880741	CENTER RUBBER BLADE (33)	40	964109	SCREW
5	69620020	SQUEEGEE BODY	41	924050	LOCK NUT
6	880742	FRONT RUBBER BLADE	42	70945501	SCREW
7	68820010	CLAMP BLADE	43	924053	LOCK NUT
8	882444	CHAIN	44	964110	SCREW
9	40111050	STUD BOLT	45	980039	WASHER
10	42411010	STUD BOLT	46	964085	SCREW
11	889742	WHEEL	47	925606	SCREW
12	881145	BUSHING	48	924054	NUT
13	74006011	WING NUT	49	980070	WASHER
KIT			A9624001	COMPLETE SQUEEGEE ASSEMBLY	



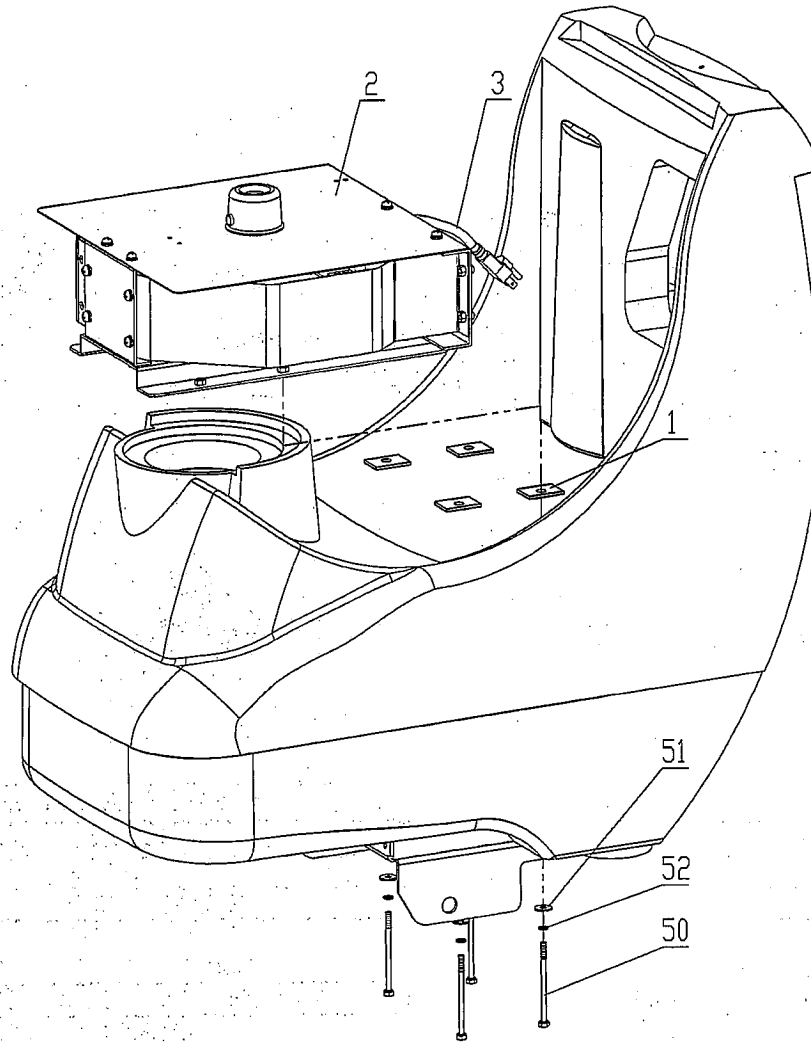
SQUEEGEE CONTROL ASSEMBLY					
Item	Part number	Description	Item	Part number	Description
1	67010030	WHEEL	40	71010804	NUT
2	881146	BUSHING	41	980039	WASHER
3	42012080	SUPPORT	42	924026	LOCK NUT
4	42012070	ADJUSTING SCREW	43	980040	WASHER
5	885045	KNOB	44	924055	LOCK NUT
6	69210530	SPRING	45	924030	WASHER
7	887341	RETAINING RING	46	70911015	SCREW
8	42412020	PIVOT BLOCK	47	924046	NUT
9	42412030	SQUEEGEE YOKE	48	964035	SCREW
10	42312130	CONNECTOR	49	40212010	HANDWHEEL
11	880551	ADJUSTING SCREW	50	70970605	SCREW
12	882445	CABLE	51	980046	WASHER
13	74620008	PIN	53	70910305	SCREW
14	74610007	FORK	55	964107	SCREW
15	74100051	KNOB	56	964116	SCREW
16	42412070	LEVER	57	924032	LOCK NUT
17	69123010	BUSHING	58	71103009	LOCK WASHER
18	42412040	LEVER	59	924033	NUT



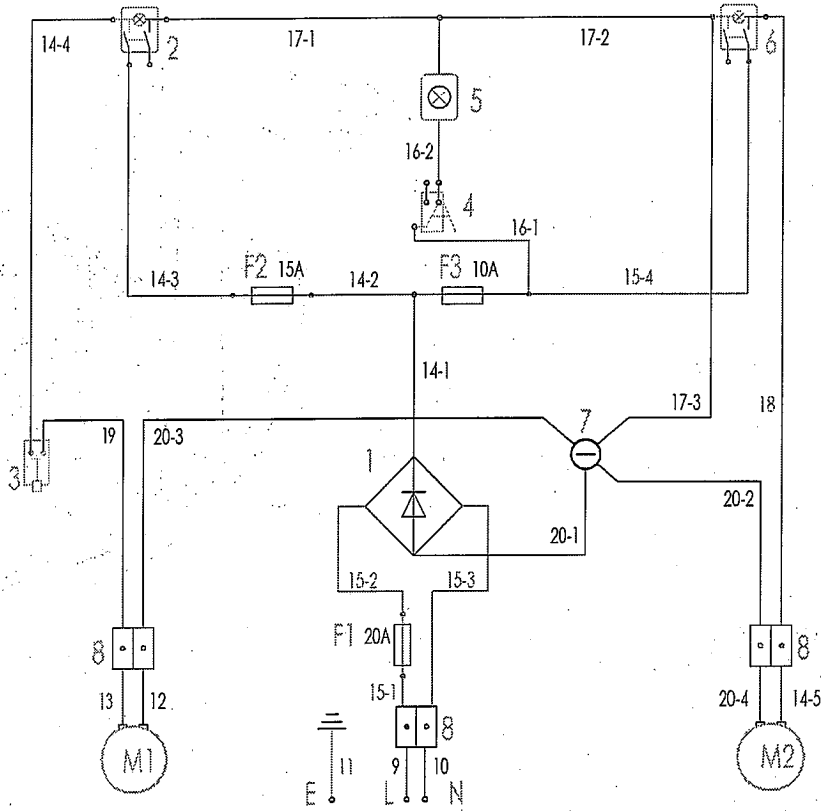
HANDLE ASSEMBLY					
Item	Part number	Description	Item	Part number	Description
1	42446040	HANDLE BAR COVER	11	980623	SPECIAL WASHER
2	865114	DECAL	12	883440	WASHER
3	72105016	SNAP ACTION SWITCH	51	964079	SCREW
4	42426030	HANDLE BAR BODY	52	71106009	LOCK WASHER
5	42426020	LEVER	53	980040	WASHER
6	69023010	BUSHING	54	924026	LOCK NUT
7	911172	SWITCH	55	980043	WASHER
8	911316	INDICATOR	56	964063	SCREW
9	885042	KNOB	57	70930607	SCREW
10	42426010	PIPE	58	70930601	SCREW



ELECTRICAL ASSEMBLY		
Item	Part number	Description
1	911317	RECTIFIER
2	911318	FUSE HOLDER
3	911322	FUSE - 10 AMP
4	911319	FUSE - 15 AMP
5	42412050	ELECTRICAL HOUSING
6	72903002	INSULATOR
7	911320	CONNECTOR
8	911321	FUSE - 20 AMP
50	980071	WASHER
51	964181	SCREW
52	964182	SCREW
53	924029	LOCK NUT
54	924046	NUT
55	868529	FUSE HOLDER SUPPORT
56	964062	SCREW
57	980057	WASHER
58	924032	LOCK NUT
59	924043	LOCK NUT
60	964183	SCREW
61	70910412	SCREW
62	964114	SCREW
63	980655	LOCK WASHER



CORD REEL ASSEMBLY		
Item	Part number	Description
1	863404	GASKET
2	867502	CORD REEL
3	908108	POWER CORD
50	964180	SCREW
51	980040	WASHER
52	980654	LOCK WASHER



WIRING DIAGRAM						
Item	Part number	Description	Item	Part number	Description	
1	911317	RECTIFIER	16-1	911340	WIRE RED	
2	911172	BIOPOLAR SWITCH BRUSH MOTOR	16-2	911351	WIRE RED	
3	72105016	SNAP ACTION SWITCH BRUSH MOTOR	17-1	911341	WIRE BLUE	
4	72105003	SNAP ACTION SWITCH WATER VALVE	17-2	911355	WIRE BLUE	
5	911316	INDICATOR	17-3	911356	WIRE BLUE	
6	911172	BIOPOLAR SWITCH VACUUM MOTOR	18	911342	WIRE PURPLE	
7	72903002	INSULATOR	19	911343	WIRE BLACK	
8	911320	TERMINAL BLOCK	20-1	911344	WIRE BLUE	
9, 10, 11	908108	POWER CORD	20-2	911357	WIRE BLUE	
12-13	911345	CABLE BLUE-BROWN WITH WHITE JACKET	20-3	911358	WIRE BLUE	
14-1	911346	WIRE RED	20-4	911359	WIRE BLUE	
14-2	911347	WIRE RED	F1	911321	FUSE 20A	
14-3	911348	WIRE RED	F2	911319	FUSE BRUSH MOTOR 15A	
14-4	911349	WIRE RED	F3	911322	FUSE VACUUM MOTOR 10A	
14-5	911350	WIRE RED	M1	865209	BRUSH MOTOR	
15-1	911339	WIRE BROWN	M2	865207	VACUUM MOTOR	
15-2	911352	WIRE BROWN				
15-3	911353	WIRE BROWN				
15-4	911354	WIRE BROWN				



WARRANTY POLICY PACIFIC LIMITED WARRANTY

The **Pacific** Proteus 210E has been manufactured, tested and inspected in accordance with specific engineering requirements. This machine is **WARRANTED** to be free from defects in workmanship and materials for periods as follows from the date of purchase.

Ten (10) Years Parts, One (1) Year Labor – Polyethylene Components
Five (5) Years Parts, One (1) Year Labor – Main Frame
Two (2) Years Parts, One (1) Year Labor – Brush Drive Motor
One (1) Year Parts & Labor – All other components unless excluded below

Travel time for warranty repair is authorized for a period of ninety (90) days following the date of sale to the end user, with a maximum of three (3) hours per claim.

This warranty extends to the original user/purchaser and only when used, operated and maintained in accordance with **Pacific** Operating and Maintenance instructions.

This warranty does not apply to certain wear parts and accessories of the machine such as electrical cords, carbon motor brushes, floor brushes, belts, hoses, tools, squeegee blades, etc., nor does it apply to damage or failure caused by improper use, abuse or neglect. Warranty credit of return parts including motors, pumps, etc., is subject to incoming inspection of those items.

To secure repair under this warranty, the following procedure should be taken:

1. After the expiration of the ninety (90) day travel time warranty period, the customer is responsible for warranty travel payment for the inoperative machine or warranted parts must be delivered to the authorized dealer with shipping and delivery charges prepaid. If unable to locate the Dealer, you may contact **Pacific** at the address listed herein for the location of the nearest **Pacific** repair center or agent or for other instructions pertaining to your warranty difficulty.
2. Upon compliance with the above warranty procedure, all warranted repairs will be completed at no additional charge or cost to the user.
3. Only **Pacific** or its authorized dealers and agents may make "no charge" warranty repairs on this product. All others do so at their own risk.

This warranty limits **Pacific** liability to the repair of the product and/or warranted parts replacement and does not include incidental or consequential damages arising from the use of a **Pacific** machine whether defective or not.

This warranty is in lieu of all other expressed or implied warranties and is extended to the original purchaser/user.