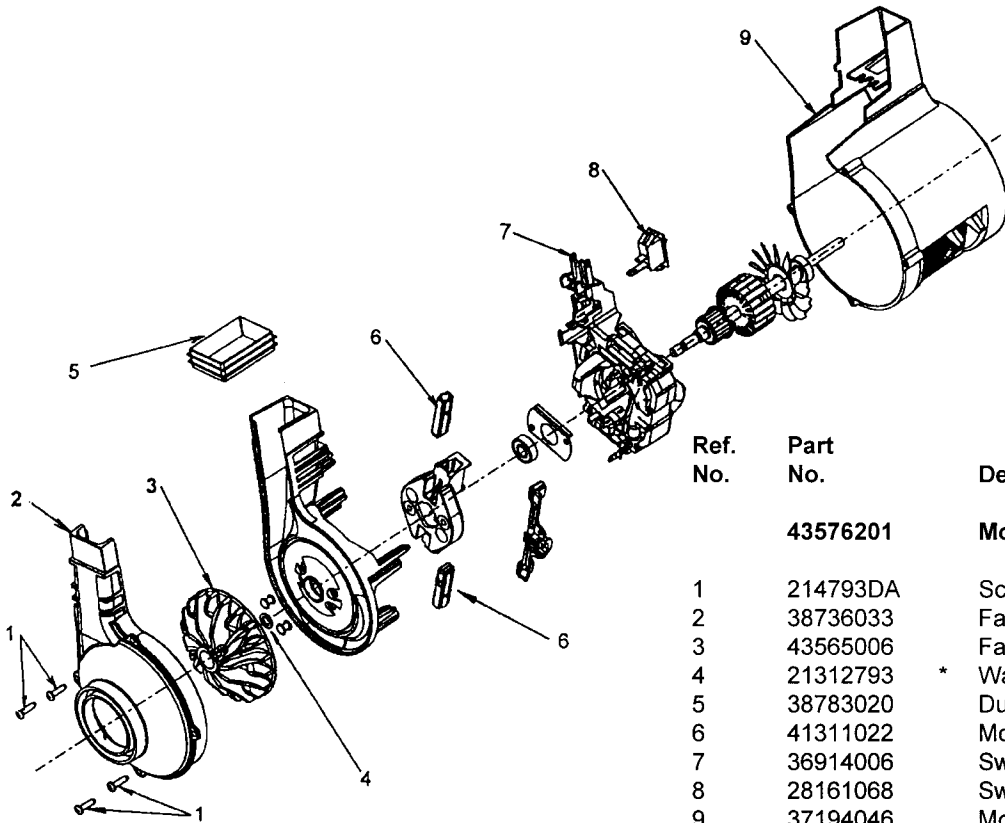


Ref No.	Part No.	Description	Ref No.	Part No.	Description
1	48663179	Upper Handle Comp.	26	40201085	Nut & Bolt Assembly
2	38421005	Switch Button	27	43576201	Motor Assembly
3	Not Available	Switch Rod	28	38522011	Wheel - Rear (2)
4	38335020	Spring	29	38784016	Seal
5	36425071	Bag Strap	30	38458022	Handle Release Lever
6	46388045	Attachment Cord - 40'	31	31531008	Wheel Shaft (2)
7	36425067	Bag Support - Upper	32	38528040	Belt
8	43681010	Bag Assem. Comp.	33	13261AY	* Rib Shoe
9	35173001	Bag Expander	34	42242270	Main Body Assem. - AG (Incl. It. 30, 33, 34, 35)
10	34112015	Seal	35	48414075	Agitator
11	36426045	Dirt Cup Support	36	21447121	* Screw Self Tapping
12	34123020	Gasket	37	37245017	Bottom Plate
13	36155011	Latch	38	43248055	Front Wheel Assembly
14	38775064	Dirt Cup	39	21312787	Washer
15	43681016	Bag Assem. Comp w/ Dirt Cup	40	38458046	Lower Control Rod
16	40201085	Nut & Bolt Assembly			
17	48669017	Lower Handle			
18	36426050	Dirt Cup Support - Lower	Items Not Illustrated		
19	37257143	Door - AG	214472ED		Dirt Cup Support Screws (2 required)
20	38351013	Spring			
21	37246130	Panel	37911079		Handle Cap
22	42252B65	Hood Assembly			
23	21447217	* Screw Self Tapping	Packaging Material		
24	36131057	Motor Retainer Cap - RH			
25	36131090	Motor Retainer Cap - LH		58175174	Carton
				56511B68	Owners Manual



Ref. No.	Part No.	Description
	43576201	Motor Assembly Complete
1	214793DA	Screw-Self Tapping (4)
2	38736033	Fan Chamber
3	43565006	Fan / Nut Assembly
4	21312793	* Washer
5	38783020	Duct Seal
6	41311022	Motor Brush Assembly (2)
7	36914006	Switch Bus Bar
8	28161068	Switch Assembly
9	37194046	Motor End Cap Assembly

Ref. No.	Part No.	Description
	48414075	Agitator Assem. Complete
1	36423016	Thread Guard - RH
2	43267002	Agitator Bearing Assem. (2)
3	21347003	Conical Washer (2)
4	36422022	Agitator End (2)
5	N/A	Agitator Body
6	N/A	Agitator Shaft
7	36423017	Thread Guard - LH - AG

