

PACIFIC

FURY 2000 DUST CONTROL BURNISHER CAST ALUMINUM 1500 RPM

INTRODUCTION

OPERATING & MAINTENANCE INSTRUCTIONS

READ THIS BOOK

This operator's book has important information for the use and safe operation of this machine. Read this book carefully before starting the machine. Keep this book and tell all operators to read the book. If you do not follow the instructions, you can cause an injury or damage equipment, furniture or buildings.

The contents of this manual are based on the latest product information available at the time of publication. **Pacific Floor Care** reserves the right to make changes or improvements to its machines without notice.

For new books write to:

Pacific Floor Care
2259 South Sheridan Road
Muskegon, MI 49442

Carefully inspect all components to ensure that there is no concealed freight damage. If such damage is discovered, file a "CONCEALED DAMAGE REPORT" immediately with the delivering carrier.

**FOR YOUR CONVENIENCE, RECORD THE
FOLLOWING IMPORTANT INFORMATION:**

MODEL _____

SERIAL NUMBER _____

PART NUMBER _____

DATE PURCHASED _____

IMPORTANT SAFETY INSTRUCTIONS

To assure the safe operation of this machine, you must read and understand all warnings and instructions in this book. If you do not understand, ask your supervisor.

READ ALL INSTRUCTIONS BEFORE USING THIS MACHINE

WARNING: To reduce the risk of fire, electric shock, or injury:

1. You must be trained to operate this machine. This machine is to be operated for its intended use only.
2. Do not operate this machine unless it is completely assembled.
3. Always use a three-wire electrical system connected to the electrical ground. For maximum protection against electrical shock, use a circuit that is protected by a ground fault circuit interrupter. Consult your electrical contractor.
4. To prevent electric shock, always remove the electrical plug from the electrical outlet before doing any repairs or maintenance and when leaving the machine unattended.
5. To prevent electric shock, keep the machine surface dry. Do not subject to rain. Store the machine in a dry building area. Clean the machine with a dry cloth only.
6. Machines can cause an explosion when near flammable materials and vapors. Do not use this machine with or near fuels, grain dust, solvents, thinners, or other flammable materials. Do not use flammables to clean this machine.
7. A qualified or authorized person must do maintenance and repairs.
8. To prevent damage to the power cord, do not move this machine over the power cord. Always lift the power cord over the machine. Do not pull or carry cord, use cord as a handle, close a door on cord, or pull cord around sharp edges or corners. Keep cord away from heated surfaces.
9. Do not use with damaged cord or plug. If the machine is not working as it should, has been dropped, damaged, left outdoors, or dropped into water, return it to a service center.

Grounding Instructions

This machine must be grounded. If it should malfunction or break down, grounding provides a path of least resistance for electric current to reduce the risk of electric shock. This machine is equipped with a cord having an equipment-grounding conductor and grounding plug. The plug must be inserted into an appropriate outlet that is properly installed and grounded in accordance with all local codes and ordinances.

WARNING - Improper connection of the equipment-grounding conductor can result in a risk of electric shock. Check with a qualified electrician or service person if you are in doubt as to whether the outlet is properly grounded. Do not modify the plug provided with the machine - if it will not fit the outlet, have a proper outlet installed by a qualified electrician.

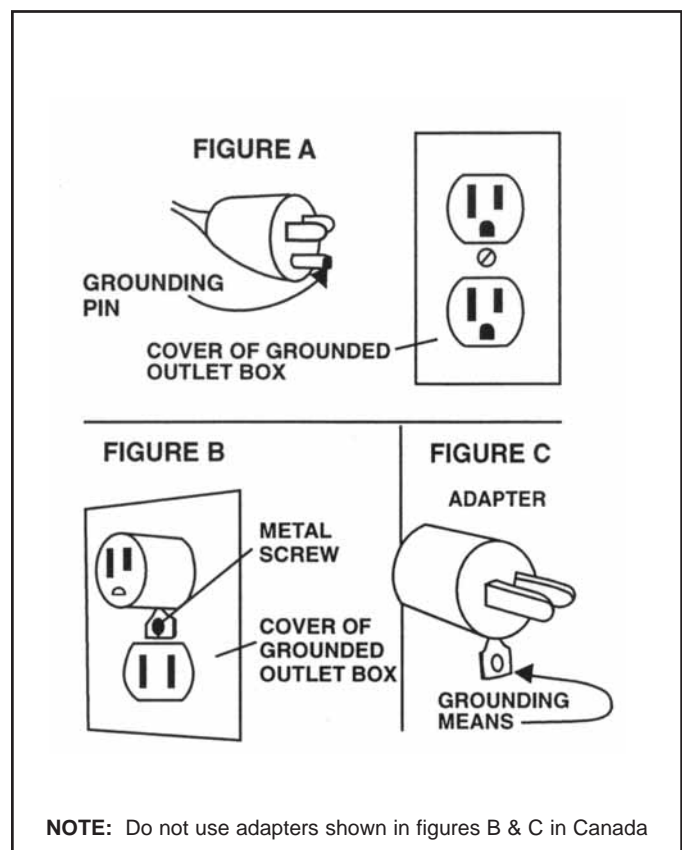
This machine is for use on a nominal 120-volt circuit, and has a grounded plug that looks like the plug illustrated in figure A. A temporary adapter that looks like the adapter illustrated in figures B and C may be used to connect this plug to a 2-pole receptacle as shown in figure B if a properly grounded outlet is not available. The temporary adapter should be used only until a properly grounded outlet (figure A) can be installed by a qualified electrician. The green colored rigid ear, lug, or the like extending from the adapter must be connected to a permanent ground such as a properly grounded outlet box cover. Whenever the adapter is used, it must be held in place by a metal screw.

NOTE: In Canada, the use of a temporary adapter is not permitted by the Canadian Electrical Code

EXTENSION CORDS

Use only three-wire 12/3 or larger gauge approved extension cords that have three-prong grounding type plugs and three-pole receptacles that accept the appliance's plug. Replace or repair any damaged cords or plugs.

When servicing, refer to authorized person only. Use only identical replacement parts.



OPERATING & MAINTENANCE PROCEDURES

WARNING! For the safe operation of this machine follow the instructions given in this booklet and the training given by your supervisor. Failure to do so can result in personal injury and/or damage to machine and property!

DO NOT OPERATE MACHINE IN AN EXPLOSIVE ENVIRONMENT!

The models shown in this manual are intended for commercial use.

PREPARATION

To prepare the machine for operation, make sure it is of correct voltage and properly assembled. If in doubt, ask your supervisor.

Your new floor machine operates in a straight-line forward motion, rather than the normal side to side motion of a conventional single disc machine. Be prepared by having your floor area cleared and ready for the fast action of a burnisher.

Prepare the floor area by sweeping, dusting or mopping as needed. Check the proper application recommendations and procedures found on the label of your finish container. **IF IN DOUBT, CALL YOUR SUPERVISOR.**

WARNING! NEVER USE THIS MACHINE WITH FLAMMABLE OR EXPLOSIVE MATERIAL!

For Burnishing: Select the correct clean floor pad (your supplier can help you). The lighter color floor pads (buff or white) are normally used for the burnishing procedure.

NEVER OPERATE THE MACHINE WITHOUT THE FLOOR PAD INSTALLED!

It is very important to select clean, dry pads of uniform thickness. Pads with high or low sections, or hard or soft spots are unacceptable. Pads of open weave are recommended; because close weaves tend to load up fast, bog down the machines, cause circuits to overload and generally give poor results.

Tip the machine back to expose the pad driver. Remove the pad center lock ring. Carefully center the pad onto the pad driver and secure with the locking ring. Check for level, centering and flatness.

OPERATION

Set the machine upright onto the pad. Plug the machine's power cable into a properly grounded outlet (see Safety Instructions). Next, release the handle locking knob and allow the handle to lower into a comfortable position. Then secure the handle locking knob. This will allow the operator to easily control the brush pressure.

Depress the handle slightly to elevate the pad from the floor. This is to avoid burning the floor on initial start up, before the operator is ready to move forward. Pull out on the "Watch Dog" Safety Lock button and start the machine by depressing either the left or right switch levers.

When you're ready to move forward, lower the machine head and pad to the floor and proceed forward in a straight line, at a steady pace. Adjust the front caster to cause the indicator on the pad pressure gauge (located on the motor drip cover) to operate in the green area.

MAINTENANCE

AFTER EACH USE: Store the machine in a clean dry area. Wipe the entire machine and cord down with a clean cloth. Remove the pad and clean thoroughly. Wrap the machine's electrical cord onto the handles and the cord hook provided. **CHECK** the cord and plug for nicks, cuts or damage. Report these to your supervisor for correction.

WARNING! Always disconnect the machine's electrical plug from the electrical outlet before performing any service, maintenance, pad changing or inspection of the machine.

CIRCUIT BREAKER: A circuit breaker is used to protect the motor. If the motor draws high amperage the circuit breaker will stop the motor. The reset button is located in the front of the switch housing. Push the reset button to restart the motor. If the motor continues to stop, then reduce the pad pressure by adjusting the caster wheel and cleaning or changing the floor pad. If this does not correct the problem consult an authorized service person.

FILTER BAG: This machine is equipped with a paper filter bag. To replace the bag, raise the handle assembly to the upright position. Then open the cover in the rear of the machine by releasing the quarter turn fastener. Replacement filter bags are available as part number 510601 (six bags per package).

OPERATING & MAINTENANCE PROCEDURES

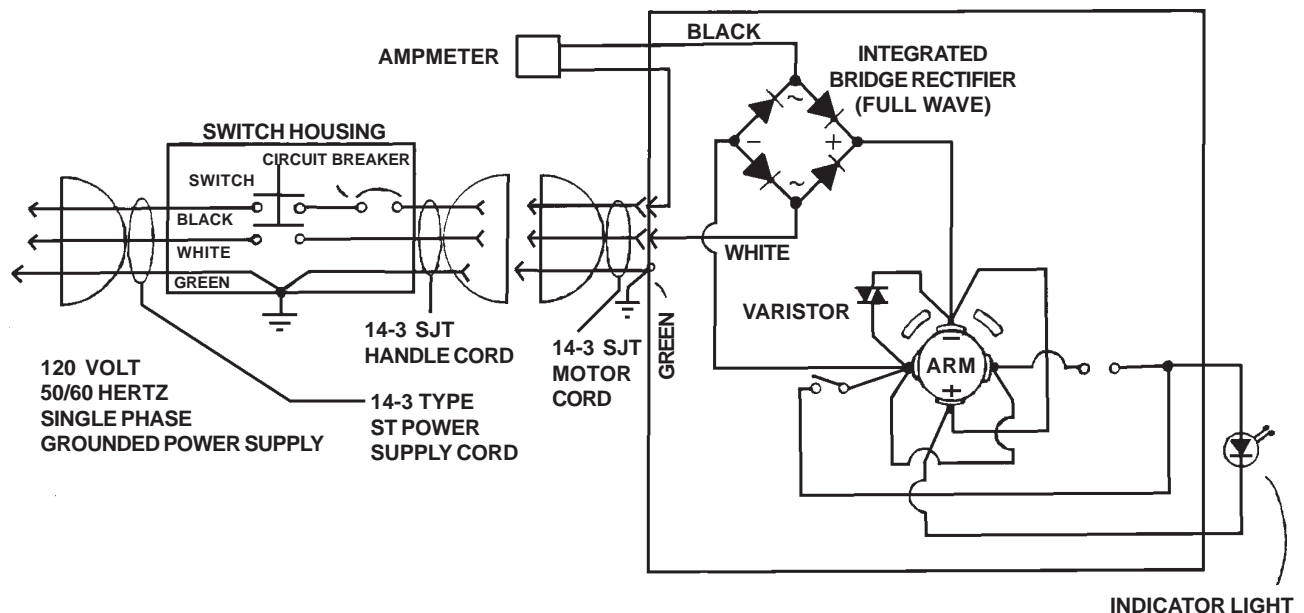
AFTER EACH USE: Store the machine in a clean, dry area. Wipe the entire machine and cord down with a clean cloth. Remove the pad and clean thoroughly. Wrap the machine's electrical cord onto the handles and the cord hook provided. CHECK the cord and plug for nicks, cuts or damage. Report these to your supervisor for correction.

WARNING! Always disconnect the machine's electrical plug from the electrical outlet before performing any service, maintenance, pad changing or inspection of the machine.

MOTOR: The motor is lubricated for life under normal use. No oiling or greasing is necessary. However, if the machine is used in dusty areas the motor should be cleaned. Blowing the motor out with compressed air or with the exhaust from a vacuum is suggested. Keeping the motor clean will allow the clear passage of air for ventilation and prevent overheating. If you have any questions regarding the maintenance of your floor machine, ASK YOUR SUPERVISOR.

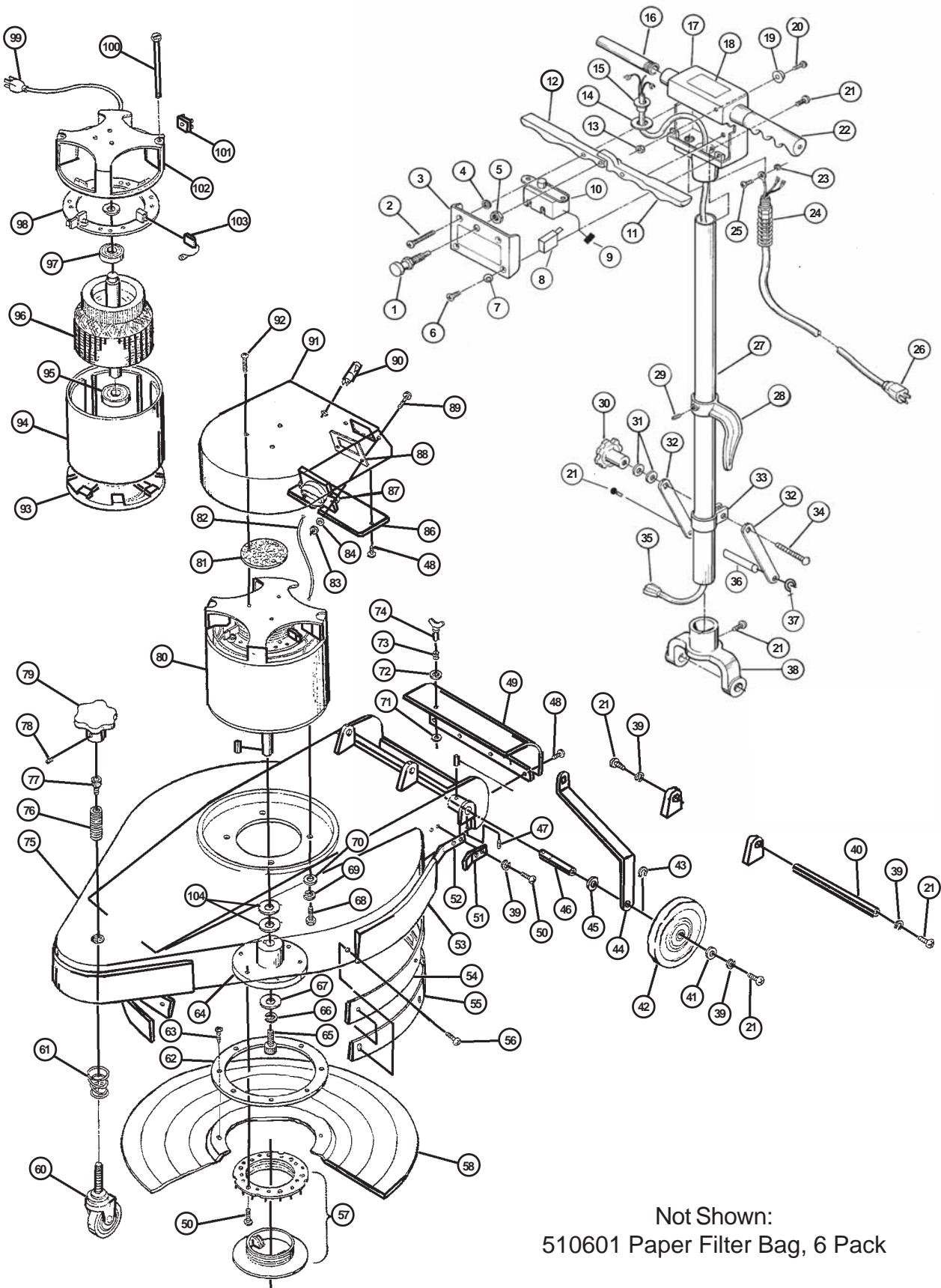
CARBON BRUSH INSPECTION: Long life 3000-hour carbon brushes are installed in the motor. The machine is also equipped with a carbon brush wear indicator light to signal when a carbon brush change is required.

WIRING DIAGRAM



NOTES

FURY 2000 DUST CONTROL BURNISHER



FURY 2000 DUST CONTROL BURNISHER PARTS LIST

ITEM	PART NO.	DESCRIPTION	QTY.	ITEM	PART NO.	DESCRIPTION	QTY.
1	504810	Interlock Assembly	1	51	512101	Clip, Bumper	2
2	962011	Screw , 10-32 x 1-3/4 Oval Hd.	2	52	518002	Strap, Bumper 64in	1
3	486407	Cover, Sw itch Box	1	53	518509	Bumper, Gray	1
4	509821	Washer, Rubber	2	54	517806	Shield, Pad	1
5	920005	Nut, 3/8-24 Hex Jam	1	55	518508	Skirt, Dust Frame	1
6	962002	Screw , 10-32 x 1/2 Oval Hd.	2	56	962083	Screw , 1/4-20 x 1 PHP	6
7	980018	Washer, #10 C-Sunk Ext	1	57	504471	Pad Holder Assembly	1
8	501350	Breaker, Circuit 18 Amp	1	58	485904	Pad Assembly, Flex Drive	1
9	911001	Lead Assembly, Sw itch to Breaker	1	60	519702	Caster	1
10	485002	Sw itch Kit Assembly	1	61	518003	Spring, Caster	1
11	505121	Lever, Sw itch Left	1	62	518202	Spacer, Pad Driver	1
12	505120	Lever, Sw itch Right	1	63	W226D	Screw , #8 x 3/4 PHP SMS	2
13	920001	Nut, 10-32 Elastic Stop	1	64	510206	Adapter, Motor	1
14	509830	Washer, Handle Tube	1	65	960696	Bolt, 5/16-18 x 1-1/4	1
15	503320	Flange, Strain Relief	1	66	980006	Washer, 5/16 Lock	1
16	505720	Handle Nipple	2	67	980014	Washer, 3/8 x 1-1/4	1
17	501338	Sw itch Box-DC w ith Breaker	1	68	962022	Screw , 3/8-16 x 1 HH	4
18	515150	Label, Warning	1	69	980009	Washer, 3/8 Lock	4
19	501210	Bumper, Handle	1	70	980003	Washer, 3/8 Flat	4
20	962003	Screw , 10-32 x 3/4 Pan Hd.	1	71	517203	Retainer	1
21	962006	Screw , 1/4-20 x 1/2 PHP SS	7	72	980611	Washer, Cupped	1
22	503711	Grip, Handle Gray	2	73	518301	Spring	1
	501501	Cap, Protective End	2	74	518403	Stud	1
23	980015	Washer, #10 External Tooth	2	75	513209	Frame, Dust Control	1
24	508520	Strain Relief-Complete	1	76	518404	Stud, Caster Height Adjustment	1
	502020	Clamp, Strain Relief	1	77	962084	Screw , 1/4-20 x 1-1/4 Set	1
25	962015	Screw , 10-32 x 3/8 PHP	2	78	962060	Screw , 10-32 x 3/16 Allen Set	2
26	502422	Cord Asm, 50' Yellow	1	79	515002	Knob, Caster Adjustment	1
27	509082	Tube, Handle	1	80	515203	Motor, 1.5HP DC, 115V	1
28	504420	Hook, Cord	1	81	509823	Washer, Felt 3/16 x 3	1
29	962005	Screw , 1/4-20 x 3/8 Set	1	82	911124	Lead Assembly, 14G	1
30	505010	Knob, Turn	1	83	920016	Nut, 6-32 Hex	2
31	980007	Washer, 5/16 Flat	2	84	980016	Washer, #6 External Tooth	2
32	500880	Brace, Handle Support	2	86	513601	Guard, Drip Cover	1
33	502021	Clamp, Handle	1	87	911116	Ampmeter, Pad Pressure, 20 Amp	1
34	962009	Bolt, Carriage 5/16-18 x 2-1/2	1	88	518201	Spacer, Ampmeter	1
35	908001	Cord Assembly, Handle	1	89	962078	Screw , 6-32 x 1-1/4 PHP	2
36	507481	Rod, Brace	1	90	505181	Light, Brush Wear Indicator	1
37	507310	Ring, Snap 3/5 External	1	91	512313	Cover, Motor	1
38	509920C	Yoke, Handle	1	92	962077	Screw , 8-32 x 1 Type F	3
39	980002	Washer, 1/4 Split Lock	8	93	502919	End Bell, Low er	1
40	517702	Shaft, Handle Yoke	1	94	503117	Field/Shell Assembly	1
41	980004	Washer, 1/4 Flat	2	95	902012	Bearing, Motor Low er	1
42	509781	Wheel, 5" Gray Non-Marking	2	96	510401	Armature Assembly w /Bearings	1
43	507325	Ring, Snap 1/2 External	2	97	902003	Bearing, Motor Top	1
44	510302	Arm, Link	2	98	507322	Ring Assembly-Complete	1
45	980005	Washer, Wave	2	99	908024	Cord Assembly, Motor	1
46	517703	Shaft, Wheel Axle	2	100	960018	Bolt, Motor Thru	4
47	962042	Screw , 1/4-20 x 1/2 Set	2	101	911048	Rectifier, Bridge	1
48	962057	Screw , 10-24 x 3/8 PHP	7	102		End Bell, Top	1
49	512314	Cover, Dust Assembly	1	103	500903	Carbon Brush, 115V	4
50	962007	Screw , 1/4-20 x 5/8 PHP	10	104	980780	Washer, 3/4 x 1/8	2

WARRANTY POLICY LIMITED WARRANTY

The **Pacific Fury 2000 Dust Control** Burnisher has been manufactured, tested and inspected in accordance with specific engineering requirements and is WARRANTED to be free from defects in workmanship and materials as follows:

Three (3) years parts, One (1) year labor - Castings and DC Motors (except motor switches, rectifiers, carbon brushes and varsitors)

One (1) year parts and labor – All other components unless excluded below.

This warranty extends to the original user/purchaser and only when used, operated and maintained in accordance with **Pacific** Operating and Maintenance instructions.

This warranty does not apply to the following wear parts and accessories of the machine including:

<u>Part Number</u>	<u>Part Name</u>
502422	Cord Assembly
509781	Wheel, 5"
503711	Handle Grip, Grey
518509	Bumper, Base
500903	Carbon Brush, 115V Motor
485904	Flex Pad Driver Assembly
510601	Paper Bag-6 Pack

Nor does it apply to damage or failure caused by improper use, abuse or neglect. Warranty credit or replacement of return parts including motors, etc., is subject to incoming inspection of those items.

To secure repair under this warranty, the following procedure should be taken:

- The inoperative machine or warranted parts must be delivered to the authorized service center with shipping and delivery charges prepaid. If unable to locate a service center, you may contact **Pacific** at the address listed herein for the location of the nearest repair center or agent or for other instructions pertaining to your warranty difficulty.
- Upon compliance with the above warranty procedure, all warranted repairs would be completed at no additional charge or cost to the user.
- Only **Pacific** or its authorized dealers and agents may make no charge warranty repairs on this product. All others do so at their own risk.

This warranty limits **Pacific** liability to the repair of the product and/or warranted parts replacement and does not include incidental or consequential damages arising from the use of a **Pacific** machine whether defective or not.

This warranty is in lieu of all other expressed or implied warranties and is extended to the original purchaser/ user.



PACIFIC

2259 South Sheridan Road
Muskegon, MI 49442

P: 231-773-1330 or 800-968-1332 F: 800-863-9536

www.pacificfloorcare.com