



UHS BURNISHER FURY 1500DCP Parts Manual

INTRODUCTION

OPERATING & MAINTENANCE INSTRUCTIONS

READ THIS BOOK

This operator's book has important information for the use and safe operation of this machine. Read this book carefully before starting the machine. Keep this book and tell all operators to read the book. If you do not follow the instructions, you can cause an injury or damage equipment, furniture or buildings.

For new books write to:

Pacific
2259 South Sheridan Road
Muskegon, MI 49442

Carefully inspect all components to ensure that there is no concealed freight damage. If such damage is discovered, file a "CONCEALED DAMAGE REPORT" immediately with the delivering carrier.

The contents of this manual are based on the latest product information available at the time of publication. **Pacific** reserves the right to make changes or improvements to its machines without notice.

FOR YOUR CONVENIENCE, RECORD THE FOLLOWING IMPORTANT INFORMATION:

MODEL _____

SERIAL NUMBER _____

PART NUMBER _____

DATE PURCHASED _____

IMPORTANT SAFETY INSTRUCTIONS

To assure the safe operation of this machine, you must read and understand all warnings and instructions in this book. If you do not understand, ask your supervisor.

READ ALL INSTRUCTIONS BEFORE USING THIS MACHINE

WARNING: To reduce the risk of fire, electric shock, or injury:

1. You must be trained to operate this machine. This machine is to be operated for its intended use only.
2. Do not operate this machine unless it is completely assembled.
3. Always use a three-wire electrical system connected to the electrical ground. For maximum protection against electrical shock, use a circuit that is protected by a ground fault circuit interrupter. Consult your electrical contractor.
4. To prevent electric shock, always remove the electrical plug from the electrical outlet before doing any repairs or maintenance and when leaving the machine unattended.
5. To prevent electric shock, keep the machine surface dry. Do not subject to rain. Store the machine in a dry building area. Clean the machine with a dry cloth only.
6. Machines can cause an explosion when near flammable materials and vapors. Do not use this machine with or near fuels, grain dust, solvents, thinners, or other flammable materials. Do not use flammables to clean this machine.
7. A qualified or authorized person must do maintenance and repairs.
8. To prevent damage to the power cord, do not move this machine over the power cord. Always lift the power cord over the machine. Do not pull or carry cord, use cord as a handle, close a door on cord, or pull cord around sharp edges or corners. Keep cord away from heated surfaces.
9. Do not use with damaged cord or plug. If the machine is not working as it should, has been dropped, damaged, left outdoors, or dropped into water, return it to a service center.

Grounding Instructions

This machine must be grounded. If it should malfunction or break down, grounding provides a path of least resistance for electric current to reduce the risk of electric shock. This machine is equipped with a cord having an equipment-grounding conductor and grounding plug. The plug must be inserted into an appropriate outlet that is properly installed and grounded in accordance with all local codes and ordinances.

WARNING - Improper connection of the equipment-grounding conductor can result in a risk of electric shock. Check with a qualified electrician or service person if you are in doubt as to whether the outlet is properly grounded. Do not modify the plug provided with the machine - if it will not fit the outlet, have a proper outlet installed by a qualified electrician.

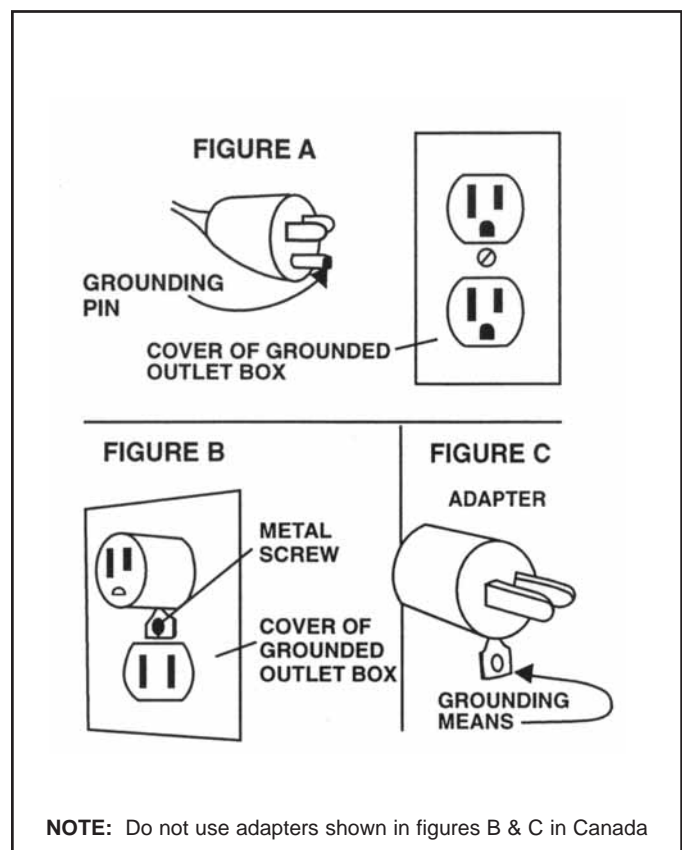
This machine is for use on a nominal 120-volt circuit, and has a grounded plug that looks like the plug illustrated in figure A. A temporary adapter that looks like the adapter illustrated in figures B and C may be used to connect this plug to a 2-pole receptacle as shown in figure B if a properly grounded outlet is not available. The temporary adapter should be used only until a properly grounded outlet (figure A) can be installed by a qualified electrician. The green colored rigid ear, lug, or the like extending from the adapter must be connected to a permanent ground such as a properly grounded outlet box cover. Whenever the adapter is used, it must be held in place by a metal screw.

NOTE: In Canada, the use of a temporary adapter is not permitted by the Canadian Electrical Code

EXTENSION CORDS

Use only three-wire 12/3 or larger gauge approved extension cords that have three-prong grounding type plugs and three-pole receptacles that accept the appliance's plug. Replace or repair any damaged cords or plugs.

When servicing, refer to authorized person only. Use only identical replacement parts.



OPERATING & MAINTENANCE PROCEDURES

WARNING! For the safe operation of this machine follow the instructions given in this booklet and the training given by your supervisor. Failure to do so can result in personal injury and/or damage to machine and property!

DO NOT OPERATE MACHINE IN AN EXPLOSIVE ENVIRONMENT!

DO NOT USE THIS BURNISHER FOR SPRAY BUFF APPLICATIONS. DOING SO WILL VOID WARRANTY ON MOTOR.

The models shown in this manual are intended for commercial use.

PREPARATION

To prepare the machine for operation, make sure it is of correct voltage and properly assembled. If in doubt, ask your supervisor.

Your new floor machine operates in a straight-line forward motion, rather than the normal side to side motion of a conventional single disc machine. Be prepared by having your floor area cleared and ready for the fast action of a burnisher.

Prepare the floor area by sweeping, dusting or mopping as needed. Check the proper application recommendations and procedures found on the label of your finish container. **IF IN DOUBT, CALL YOUR SUPERVISOR.**

WARNING! NEVER USE THIS MACHINE WITH FLAMMABLE OR EXPLOSIVE MATERIAL!

For Burnishing: Select the correct clean floor pad (your supplier can help you). The lighter color floor pads (buff or white) are normally used for the burnishing procedure.

NEVER OPERATE THE MACHINE WITHOUT THE FLOOR PAD INSTALLED!

It is very important to select clean, dry pads of uniform thickness. Pads with high or low sections, or hard or soft spots are unacceptable. Pads of open weave are recommended; because close weaves tend to load up fast, bog down the machines, cause circuits to overload and generally give poor results.

Tip the machine back to expose the pad driver. Remove the pad center lock ring. Carefully center the pad onto the pad driver and secure with the locking ring. Check for level, centering and flatness.

OPERATION

Set the machine upright onto the pad. Plug the machine's power cable into a properly grounded outlet (see Safety Instructions). Next, release the handle locking knob and allow the handle to lower into a comfortable position. Then secure the handle locking knob. This will allow the operator to easily control the brush pressure.

Depress the handle slightly to elevate the pad from the floor. This is to avoid burning the floor on initial start up, before the operator is ready to move forward. Pull out on the "Watch Dog" Safety Lock button and start the machine by depressing either the left or right switch levers.

When you're ready to move forward, lower the machine head and pad to the floor and proceed forward in a straight line, at a steady pace.

MAINTENANCE

AFTER EACH USE: Store the machine in a clean dry area. Wipe the entire machine and cord down with a clean cloth. Remove the pad and clean thoroughly. Wrap the machine's electrical cord onto the handles and the cord hook provided. **CHECK** the cord and plug for nicks, cuts or damage. Report these to your supervisor for correction.

WARNING! Always disconnect the machine's electrical plug from the electrical outlet before performing any service, maintenance, pad changing or inspection of the machine.

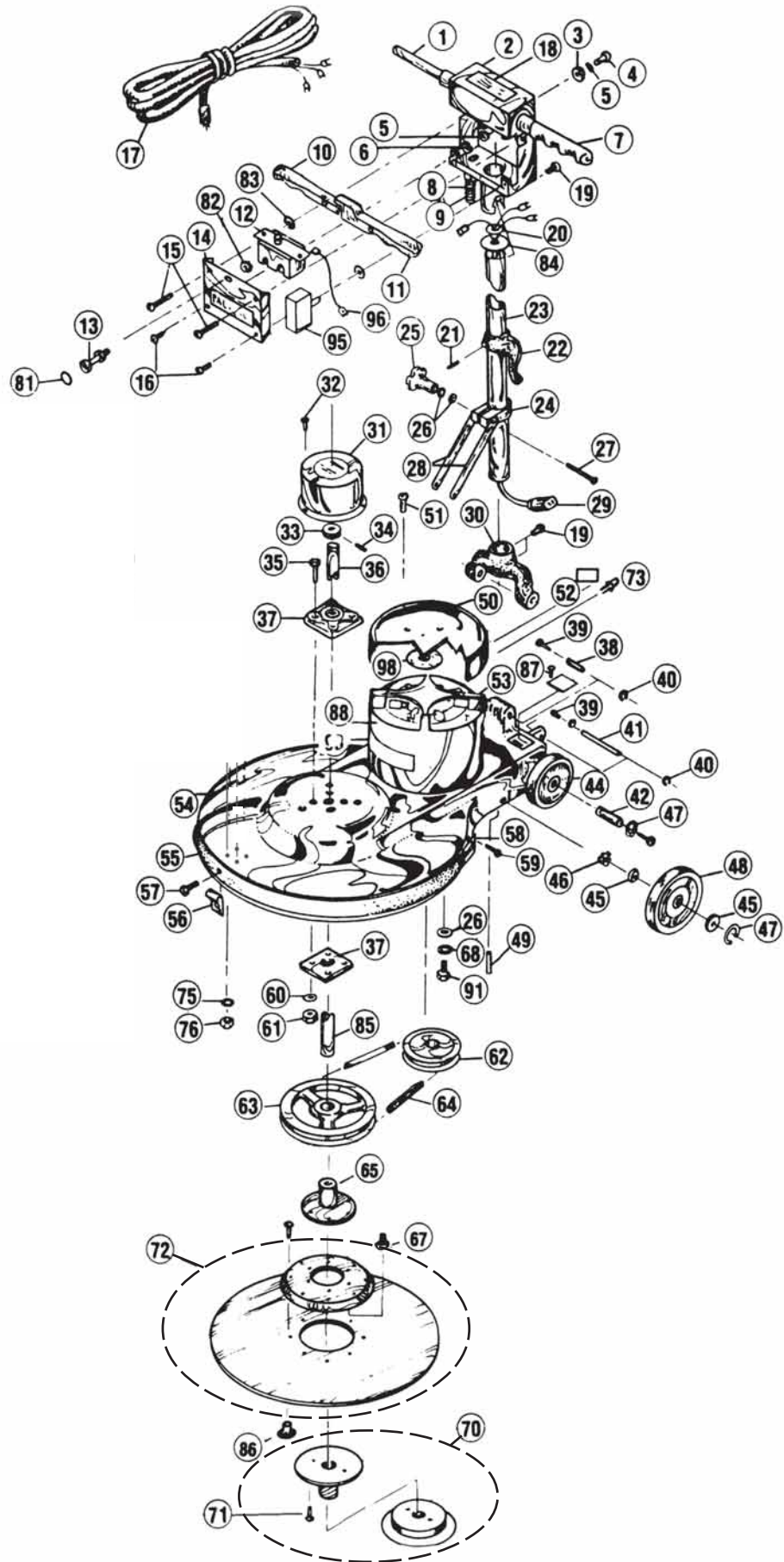
CIRCUIT BREAKER: A circuit breaker is used to protect the motor. If the motor draws high amperage the circuit breaker will stop the motor. The reset button is located in the front of the switch housing. Push the reset button to restart the motor. If the motor continues to stop, clean or change the floor pad. If this does not correct the problem consult an authorized service person.

MOTOR: The motor is lubricated for life under normal use. No oiling or greasing is necessary. However, if the machine is used in dusty areas the motor should be cleaned. Blowing the motor out with compressed air or with the exhaust from a vacuum is suggested. Keeping the motor clean will allow the clear passage of air for ventilation and prevent overheating.

BELT TENSION: Proper belt tension is important for smooth operation and belt life. Check the belt tension and have no more than a 1/8-inch deflection. If adjustment is needed, loosen the four (4) motor mounting bolts. Then tip the machine back onto its transport wheels, slide the motor back and tighten the bolts.

CARBON BRUSH INSPECTION: Long life 3000-hour carbon brushes are installed in the motor. The machine is also equipped with a carbon brush wear indicator light to signal when a carbon brush change is required.

1500 RPM BURNISHER



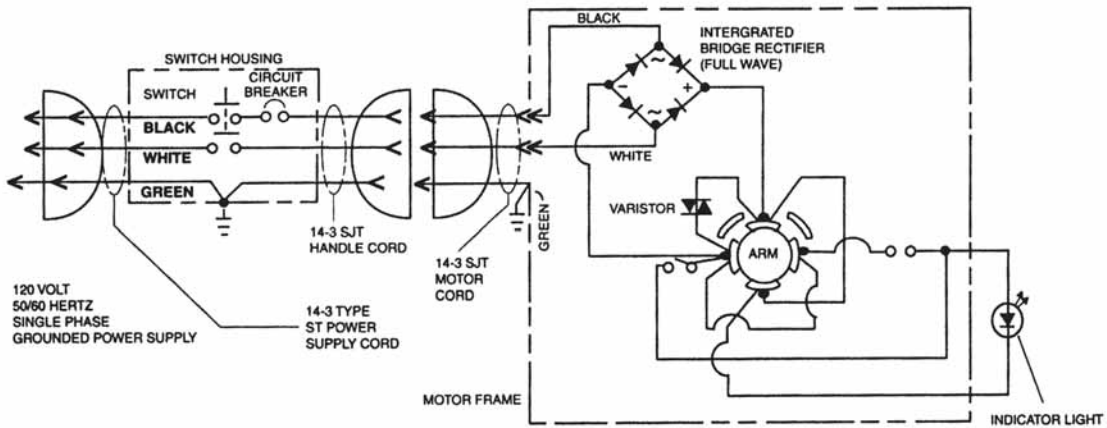
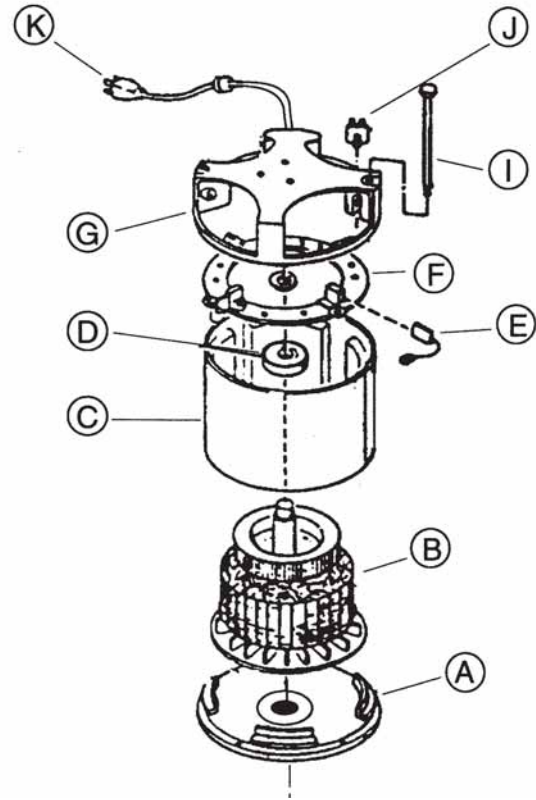
1500 RPM BURNISHER PARTS LIST

ITEM	PART NO.	DESCRIPTION	QTY.	ITEM	PART NO.	DESCRIPTION	QTY.
1	505720	Handle Nipple	2	45	509820	Washer, Fiber	12
2	501338	Sw itch Box - DC w ith Breaker	1	46	980005	Washer, Wave	8
3	501210	Bumper, Handle	1	47	507320	Snap Ring 1/2 Shaft	4
4	962003	Screw , 10-32 x 3/4 Pan Hd.	1	48	509781	Wheel, 5"	2
5	980001	Flat Washer - Handle Bumper	2	49	962016	Set Screw , 10-32 x 3/8 Allen	1
6	920001	Nut, 10-32 Elastic Stop	1	50	502396	Drip Cover	1
7	503711	Handle Grip	2	51	962026	Screw , 8-32 x 1/2	3
8	502020	Strain Relief-Brass Clamp	1	52	506340	Label, Brush Indicator	1
9	508520	Strain Relief-Complete	1	53	505286	Motor, 1.5 HP 115V	1
10	505120	Lever, Sw itch Right	1	54	501893	Base Casting	1
11	505121	Lever, Sw itch Left	1	55	501286	Bumper, Base	1
12	508020	Sw itch	1	56	502110	Bumper Clip	3
13	504810	Lock - Assembly Sw itch	1	57	962001	Screw , 10-32x1/4 Flt. Hd.	3
14	486407	Cover - Sw itch Plate	1	58	508080	Bumper Strap	1
15	962011	Screw , 10-32 x 1-3/4 Oval Hd.	2	59	962015	Screw , Bumper Strap	2
16	962002	Screw , 10-32 x 1/2 Oval Hd.	2	60	980003	Washer, 3/8 Flat	4
17	502422	Cord Asm., 50 ft Yellow	1	61	920002	Nut, 3/8-16 Hex	4
18	515150	Label, Warning	1	62	506980	Pulley, Motor	1
19	962006	Screw , 1/4-20 x 1/2 Pan Hd.	3	63	506994	Pulley, Pad Driver	1
20	503320	Flange - Strain Relief	1	64	903001	Belt	1
21	962005	Screw , 1/4-20 x 3/8 Allen	1	65	503382	Flange-Pad Driver	1
22	504420	Cord Hook	1	67	962036	Screw , 1/4-20 x1 Flt.	6
23	509082	Handle Tube	1	68	980009	Washer, 3/8 Lock	4
24	502021	Clamp-Handle	1	70	504471	Pad Holder Assembly	1
25	505010	Turn Knob	1	71	962076	Screw #8 x 5/8 PHP	3
26	980003	Washer, 3/8 Flat	2	72	485904	Pad Assembly	1
27	962009	Bolt, Carriage 5/16-18 x 2-1/2	1	73	505181	Light Indicator-Brush Wear	1
28	500880	Arm, Handle Support	2	75	980002	Washer, 1/4 Lock	4
29	908004	Handle Cord	1	76	920004	Nut, 1/4-20 Hex	4
30	509920C	Yoke, Handle	1	81	506318	Label, Sw . Int.	1
31	502319	Cover-Bearing	1	82	920005	Nut, 3/8-24 Hex	1
32	962015	Screw , 10-32x3/8 Pan Hd.	3	83	509821	Washer	2
33	502481	Collar - Upper Shaft	1	84	509830	Washer	1
34	962012	Set Screw , 5/16-18 x 1/4 Allen	1	85	915001	Key	1
35	962018	Bolt, 3/8-16 x 1-3/4 HH	4	86		Kit: T-Nut & Screw (8 ea./pkg)	1
36	507780	Drive Shaft	1	87	962023	Screw	2
37	501380	Block - Bearing	2	88	506391	Label-Motor Mylar	1
38	507481	Rod - Yoke	1	91	962022	Screw , 3/8-16x1 HH	4
39	962006	Screw , 1/4-20 x 1/2 Pan Hd.	2	93	980007	Washer, 5/16 Flat	1
40	507310	Retaining Ring 3/8" Yoke Rod	2	95	501350	Circuit Breaker	1
41	507480	Rod - Brace	1	96	911001	Lead Assembly-Circuit Breaker	1
42	507781	Wheel Axle	2	98	509823	Washer, Felt	1
44	509780	Wheel, 4"	2				

NOTES

1500 RPM BURNISHER MOTOR PARTS LIST & WIRING DIAGRAM

ITEM	PART NO.	DESCRIPTION	QTY.
	505286	Motor 115V, 1.5HP	1
A	502919	End Bell - Motor LOWER	1
B	500417	Armature Asm.w/Bearings,115V	1
	902012	Bearing, Motor Lower	1
C	503117	Field & Shell Assembly	1
D	902003	Bearing, Motor Top	1
E	500903	Carbon Brush, Motor 115V	4
F	507322	Brush Ring Asm. Complete	1
G	502920	End Bell - Motor TOP	1
I	960018	Bolt, Motor Thru	4
J	911048	Rectifier, 115V 50/60C	1
K	908024	Cord Assembly, Motor	1



WARRANTY POLICY LIMITED WARRANTY

The **Pacific** UHS Burnisher has been manufactured, tested and inspected in accordance with specific engineering requirements and is WARRANTED to be free from defects in workmanship and materials as follows:

Three (3) years parts, One (1) year labor - Castings and DC Motors (except motor switches, rectifiers, carbon brushes and varsitors)

One (1) year parts and labor – All other components unless excluded below.

This warranty extends to the original user/purchaser and only when used, operated and maintained in accordance with **Pacific** Operating and Maintenance instructions.

This warranty does not apply to the following wear parts and accessories of the machine including:

<u>Part Number</u>	<u>Part Name</u>
502422	Cord Assembly
509780	Wheel, 4"
509781	Wheel, 5"
503711	Handle Grip, Grey
501286	Bumper, Base
903001	Belt
500903	Carbon Brush, 115V Motor

Nor does it apply to damage or failure caused by improper use, abuse or neglect. Warranty credit or replacement of return parts including motors, etc., is subject to incoming inspection of those items.

To secure repair under this warranty, the following procedure should be taken:

- The inoperative machine or warranted parts must be delivered to the authorized service center with shipping and delivery charges prepaid. If unable to locate a service center, you may contact **Pacific** at the address listed herein for the location of the nearest repair center or agent or for other instructions pertaining to your warranty difficulty.
- Upon compliance with the above warranty procedure, all warranted repairs would be completed at no additional charge or cost to the user.
- Only **Pacific** or its authorized dealers and agents may make no charge warranty repairs on this product. All others do so at their own risk.

This warranty limits **Pacific** liability to the repair of the product and/or warranted parts replacement and does not include incidental or consequential damages arising from the use of a **Pacific** machine whether defective or not.

This warranty is in lieu of all other expressed or implied warranties and is extended to the original purchaser/ user.



PACIFIC

2259 South Sheridan Road
Muskegon, MI 49442

Phone: 231-773-1330 Fax: 231-773-1642

www.pacificfloorcare.com info@pacificfloorcare.com