

PACIFIC

MODEL DELUXE 15

OPERATING & MAINTENANCE INSTRUCTIONS

INTRODUCTION

READ THIS BOOK

This operator's book has important information for the use and safe operation of this machine. Read this book carefully before starting the machine. Keep this book and tell all operators to read the book. If you do not follow the instructions, you can cause an injury or damage equipment, furniture or buildings.

All directions given in this book are as seen from the operator's position at the rear of the machine.

For new books, write to **Pacific Steamex Cleaning Systems, Inc.**, 2259 S. Sheridan, Muskegon, Michigan 49442-6252.

Carefully inspect all components to insure that there is no concealed freight damage. If such damage is discovered, file a "CONCEALED DAMAGE REPORT" immediately with the delivering carrier.

The contents of the Manual are based on the latest product information available at the time of publication. Pacific Steamex reserves the right to make changes or improvements to its machines without notice.

FOR YOUR CONVENIENCE, RECORD THE MACHINE MODEL AND SERIAL NUMBER HERE.

MODEL _____

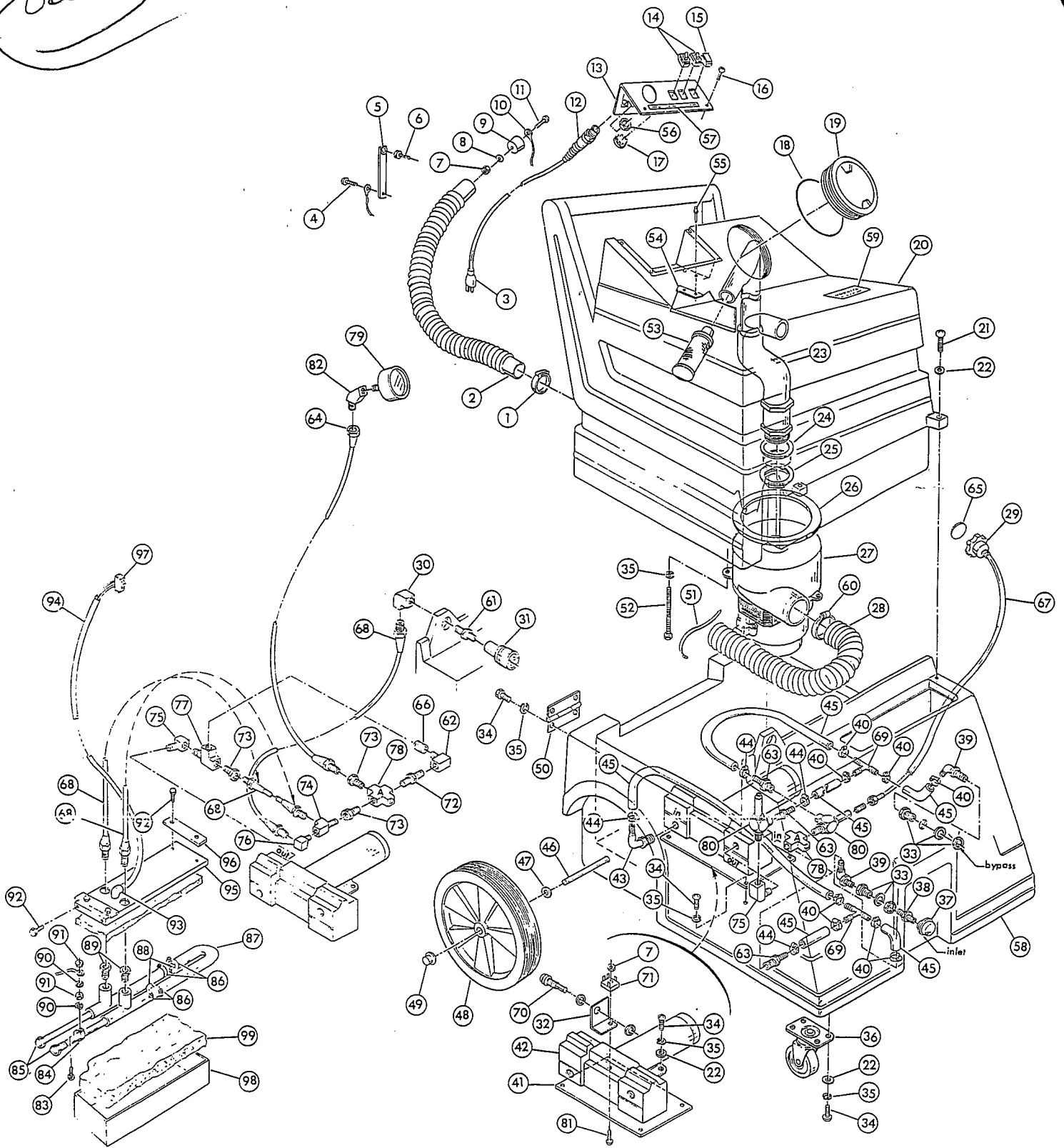
SERIAL _____

PRE-1998

MODEL.

DELUXE 15R

1/2
OLD



2/2 (OLD)

Deluxe 15R

Item	Part No.	Description	Qty.
1	602012	Clamp Hose	1
2	604107	Hose - Drain PolyVac	1
3	S266P1	Power Cord 25 Foot Black	1
4	962015	Screw 10-32 x 3/8	1
5	608508	Strap	1
6	603313	Fastener	1
7	920017	10-24 ESNA Nut	2
8	W107D	Washer - 3/16 Flat	1
9	608504	Stopper - Drain	1
10	602408	Cord - Stopper Stretch	1
11	962113	10-24 x 1-1/4 PHP	1
12	A13020	Strain Relief	1
13	227070	Panel - Control	1
14	911089	Switch - Rocker 16 amp	2
15	S519PB	Switch Blank	1
16	W350D	Screw 10-24 x 1/2 THP	4
17	S799NP1	Plug	1
18	223403	Gasket Cover	1
19	222302	Cover - Cleanout	1
20	228671	Tank Vacuum - 15 Gallon Roto	1
21	962117	Screw - 1/4-20 x 1-1/2	2
22	W104D	Washer - 1/4 Flat	14
23	228571	Standpipe Assembly	1
24	S400P6	O-Ring	1
25	A13012	Sealing Nut - 1-1/4	1
26	S446P1	Gasket - Blower Ring 3/8 Thick	1
27	A13504	Vac Motor - 3 Stage 115V	1
	3738	Vac Motor - 3 Stage 230V	1
	210901	Carbon Brush	2
28	224160	Hose 2 inch Black	1.4 ft
29	205050	Knob - Height Adj.	1
30	S905A	Elbow 1/4 NPT	1
31	203308	Quick Connect - 1/4 Female	1
32	220870	Bracket - Fuse	1
33	T4056	Coupling 1/4 w/Nut & Washer	2
34	962006	Screw - 1/4-20 x 1/2 PHP	24
35	980002	Washer - 1/4 Lock	27
36	S130P	Caster -	2
37	S626P	Strainer - 3/8 NPT	1
38	S479P	Brass - Reducer 3/8 x 1/4 MPT	1
39	3771	Elbow - Male 1/4 to 3/8 Barb	2
40	202050	Clamp - Solution Hose	8
41	226670	Plate - Pump Mounting	1

Item	Part No.	Description	Qty.
42	227071	Pump & Motor - 115V	1
43	3765	Elbow - Male 3/8 to 3/8 Nylon	1
44	S453P	Clamp - Hose	4
45	S250P	Hose 3/8 Push Lock	3 ft
46	227770	Shaft - Wheel	1
47	W120D	Washer - 7/16 Flat	2
48	229750	Wheel - 10 x 1.75 Grey	2
49	S482P	Snap Axle Cap 1/2	2
50	204552	Hinge - Vac Tank	2
51	911104	Tie - Cable 14.5 Lg.	1
52	W196D	Screw 1/4-20 x 4	3
53	223370	Float Assembly	1
54	221371	Baffle	1
55	930006	Rivet - Pop 1/8 x 1/2	2
56	920616	Nut 1/2 NPT	1
57	225173	Label - Switch	1
58	228670	Tank Solution - 15 Gallon Roto	1
59	D161C	Decal - Add Defoamer	1
60	S216P	Clamp - Hose Blower Assembly	1
61	S222N	Brass - Hex Nipple 1/4	1
62	222870	Elbow	1
63	223308	Fitting 3/8 Hose to 3/8 Pipe	3
64	224171	Hose Pulse	1
65	225172	Label - Pressure Adjust	1
66	226870	Plug - 1/4 FM Hex	1
67	227771	Shaft - Flexible Assembly	1
68	3681	Hose Assembly	2
69	3766	Tee Union - 3/8 to 3/8 Nylon	2
70	911180	Fuse - 5 amp	1
70	S130A	Fuse Holder	1
71	A13445	Rectifier - Bridge	1
72	S215P	Brass - Hex Nipple 3/8	1
73	S342P1	Brass Bushing 1/4 FIPT x 3/8	3
74	T4004R	Brass - Street Tee 1/4 FIPT	1
75	T4023	Brass - 90° St. Elbow 3/8	2
76	T4027	Brass - 90° St. Elbow 1/4 FIPXM	1
77	T4030	Brass - Street Tee 3/8	1
78	T4080	Brass - Cross 3/8	1
79	T6001	Gauge - 600 PSI Steamex	1
80	T8013	Regulating Valve	2
81	W343D	Screw 10-24 x 1-1/4 PHP	1
82	T4055	Elbow - 1/4 x 45° St.	1

HEATER

Item	Part No.	Description	Qty.
83	W324D	SCREW 6-32x1/2 RHP MS S/S	1
84	228572	STRAP - GROUND	1
85	224570	HEATER - ELEMENT	2
86	222070	CLAMP	4
87	222270	COIL - HEATER	1
88	228570	SENSOR - HEATER	2
89	S342P1	BRASS:BUSHING 1/4 FIPT x 3/8	2
90	980016	WASHER - #6 EXT SHAKEPRO	2
91	9220016	NUT 6-32 HEX	2

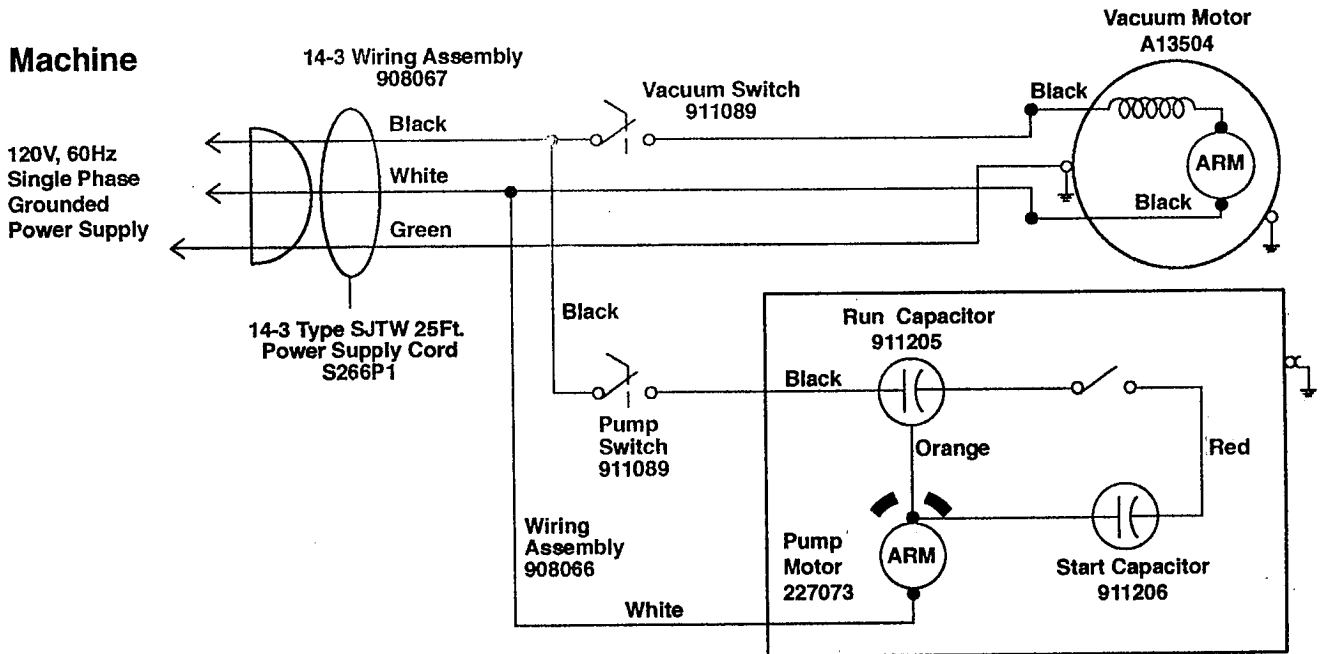
Item	Part No.	Description	Qty.
92	962119	SCREW 8x 1/2 HEX HD TEK	7
93	508519	STRAIN RELIEF	1
94	908068	CORD ASM 14-3 X 52IN	1
95	222370	COVER HEATER	1
96	228573	SUPPORT HEATER	2
97	911089	SWITCH-ROCKER SPST - 16AMP	1
98	221370	BOX - HEATER	1
99	229870	WRAP FIBER GLASS	1

NEW

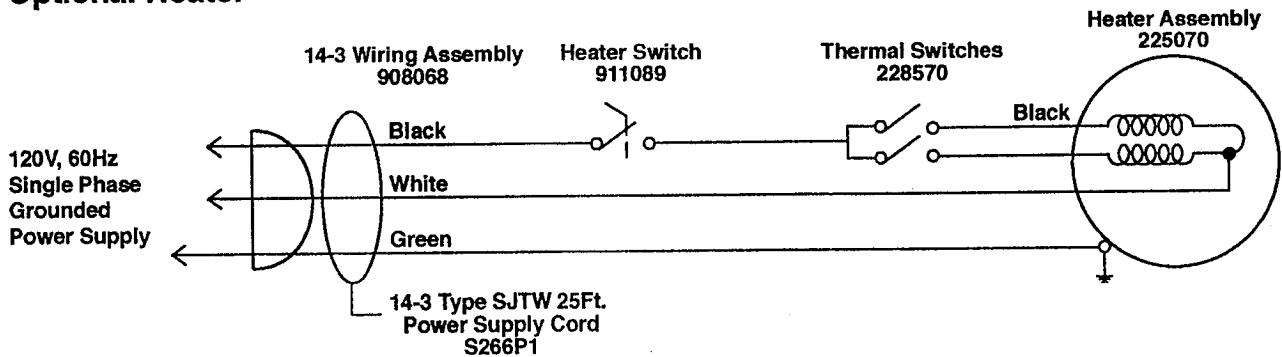
Pro 150R / Deluxe 15R

Deluxe 15 Wiring Diagram 120V.

Machine



Optional Heater



IMPORTANT SAFETY INSTRUCTIONS

READ ALL INSTRUCTIONS BEFORE USING THIS MACHINE

WARNING: To reduce the risk of fire, electric shock, or injury:

1. You must have training in the operation of this machine before using it.
2. Always use a separate circuit for the heater (other than the one used by the extractor) before attempting use.
3. Do not operate the heater until the solution system is pressurized with cleaning solution.
4. Always shut the heater off when solution is not circulating through the system.
5. Make sure the pump is continuously running when the heater switch is on.
6. Machines can cause an explosion when near flammable materials and vapors. Do not use this machine with or near fuels, grain dust, solvents, thinners, or other flammable materials.
7. Do not operate this machine unless it is completely assembled.
8. Do not use this unit for dry pick-up of dust or debris. Do not pick up anything that is burning or smoking, such as cigarettes, matches or hot ashes.
9. To prevent electric shock, always remove the electrical plugs from the electrical outlets before doing any repairs or maintenance to this machine.
10. To prevent injury, always remove the electrical plugs from the electrical outlet before leaving the machine.
11. Maintenance and repairs must be done by authorized personnel only.
12. Do not immerse. To reduce the risk of electrical shock, use only on carpet moistened by the cleaning process. Protect the machine from rain. Keep the machine in a dry building. Always clean the machine with a clean dry cloth.
13. Always use a three-wire electrical system connected to the electrical ground. For maximum protection against electrical shock, use a circuit that is protected by a ground fault circuit interrupter. Consult your electrical contractor.
14. To prevent damage to the power cord, do not move this machine over the power cord. Always lift the power cord over the machine. Do not pull or carry cord, use cord as a handle, close a door on cord, or pull cord around sharp edges or corners. Keep cord away from heated surfaces.
15. Make sure all switches are turned off before plugging or unplugging it power cord into/from a wall receptacle.
16. Do not use water that is hotter than 60°C (140°F).
17. To prevent damage to the solution system components do not store in freezing temperatures without proper maintenance.
18. Do not allow to be used as a toy. Close attention is necessary when used near children.
19. Do not use with damaged cord or plug. If the machine is not working as it should, has been dropped, damaged, left outdoors, or dropped into water, return it to a service center.
20. Do not unplug by pulling on cord. To unplug, grasp the plug, not the cord.
21. Do not handle the plug or machine with wet hands.

PREPARATION AND OPERATION

PRESTART-UP CHECKS

DELUXE 15 models are very simple and easy to operate. Very little maintenance and service are required to keep your machine in top operating condition.

The following procedures are recommended to maintain the high level of performance expected from your machine. They are also intended to identify potential safety hazards and problems which could reduce the service life of the machine.

READ BEFORE OPERATING YOUR MACHINE:

1. Check **power cord, plug and strain relief** for worn or damaged insulation (for both the machine and heater if applicable). Repair or replace if necessary.
2. Make sure the **drain hose** is plugged and placed in its storage position on the back of the tank.
3. Inspect the **vacuum head** on the wand for any damage. Burrs on the contact surface may snag carpet fibers. Gouges, scratches and chipped areas can reduce vacuum performance.
4. Check the **inlet strainer** for damage or debris. It is located at the bottom of the fresh water (solution) tank. Holes in the screen can allow contaminants to enter the pump resulting in costly repairs. A clogged strainer will reduce pump performance and may cause permanent damage.
5. Unscrew the clear round **plastic cover** on top of the recovery (vacuum) tank.
 - a) Inspect the **cover and gasket** for damage. Dirt or debris on the gasket or sealing surface of the tank can cause a vacuum leak and reduce vacuum performance.
 - b) The **float assembly** consists of a **screen and ball shut off** to protect the vacuum motor. To remove it twist the assembly from the white vacuum tube. Then clean the screen of debris. It should be checked periodically for any damage and replaced when necessary.

Replace the cover, making sure it is securely in place.

OPERATION

The following procedures are intended to describe and detail proper operation of your machine. Failure to follow these recommended procedures can reduce the machine's performance and may result in damage to the machine.

1. **Vacuum the area to be cleaned.** Your machine will do a more thorough job if the loose dirt and debris are removed before the extraction process begins.
2. **Fill the fresh water tank** (lower tank) with up to 15 gallons of hot water and cleaning chemical. Do not use water hotter than 60°C (140°F). Mix in chemicals according to the chemical manufacturer's recommendations. Powdered chemical must be premixed with water before pouring into the solution tank.
3. Use of an extension cord is not recommended. However, if one is necessary, use only a **14 gauge** or larger cord. Smaller or inferior cords are dangerous and may cause damage to your machine.
4. **Connect the wand assembly and hoses to the machine.** The 3/8-inch solution hose simply inserts into the quick connect located on the front of the machine. The vacuum hose slides over the tube located on the front of the recovery (upper) tank.
5. If the machine is equipped with a heater, the **power cords must be plugged into two separate 20 amp grounded outlets of the correct voltage.** See Grounding Instructions.
6. The **control panel** is located on top of the recovery tank, near the handle and contains the following:
 - a) **The pump switch should be turned on first.** The solution pump is self-priming and completely fills the system. A priming valve is located in the solution fill opening to aid in priming.
 - b) **The solution pressure is adjustable with the knob located on the front of the machine** (next to the solution hose outlet). You can adjust the pressure up to 250 psi; taking under consideration the condition of the carpet (i.e. the type and how dirty it is).

- c) Turn on the heater if hotter solution is desired. **NOTE: The pump must be ON when the heater is ON.**
 - d) Turn ON the vacuum switch. You may now begin the cleaning process.
7. Depressing the valve trigger on the wand will allow the solution water to flow.
 8. Foaming may occur as dirty solution is recovered. Excessive foaming can be counteracted with liquid defoamer (follow the chemical manufacturers directions). **Do not allow foam to rise into or near the float assembly in the recovery tank.** Use defoamer or empty and flush the recovery tank.
 9. When finished cleaning, turn off the heater, vacuum and pump switches.
 10. Always drain the recovery tank after each use; simply pull the plug from the tote hose on the back of the tank and drain. Dispose of the recovered water properly.
 11. To drain the solution tank, attach the small drain or "pump out" hose to the accessory quick connect on the front of the machine. Place the open end of the hose into a bucket and turn on the pump switch. When empty, turn off the pump switch and remove the hose from the quick connect.
 12. All switches should now be OFF, unplug the power cord(s) from the electrical outlet before doing any clean-up.
 13. After each use clean the cover, float assembly and gasket. Do not reinstall the cover until the next use, this will allow the recovery tank to dry out.

SERVICING

The DELUXE 15 extractors are designed and manufactured to provide years of trouble free service with a minimum of maintenance and service. The following recommendations are intended to assist the operator and Service Technician in performing routine maintenance.

Failure to follow these recommendations can result in damage to your machine and diminished performance.

Warning: Always unplug your machine before performing any service. Severe personal injury could result if the electrical power is not disconnected.

1. Always follow through with the recommended prestart-up checks found in the Preparation and Operation section of this manual.
2. Store your machine in a dry, protected area. Do not expose this machine to rain, standing water or freezing temperatures.
3. We recommend a good, thorough cleaning after each use.
 - a) Clean the cover, float assembly and gasket.
 - b) Clean out the recovery tank with fresh water making sure all deposits or debris are removed.
 - c) Check and clean the inlet strainer in the solution tank periodically with clean water. Make sure the strainer is properly in place to protect the pump.
 - d) Wipe the machine down with a damp cloth.
4. The jet tips and strainer/check valves on the wand will need cleaning after repeated use. First remove the jet caps, then the jet tips and strainer/check valves. Soak them in vinegar until visible deposits are dissolved, then scrub with a soft bristle brush. Reassemble.

Jet tips and strainer/check valves should be replaced once a year because they tend to erode under extended use.
5. **AN AUTHORIZED SERVICE CENTER SHOULD PERFORM SERVICE TO THE PUMP AND VACUUM MOTOR.** The tank is hinged to provide easy access to the internal components.

Additional service information is available from your local Pacific Steamex Distributor or through our Technical Service Department.

INTRODUCTION

The Pacific Steamex **DELUXE 15 Carpet Extractor Machine** is built from highly durable polyethylene and is intended for commercial use. The solution tank holds 15 gallons and the recovery tank holds 13 gallons. A 12-inch, two jet, high pressure wand with 15 feet each of solution and vacuum hoses is provided.

The **DELUXE 15** is designed with a variable pressure pump that can generate up to 250 psi to deep clean carpets without damaging fibers.

The heavy-duty three-stage vacuum motor on the **DELUXE 15** is capable of 137 inches of water lift. This thoroughly extracts the dirty solution from the carpet fibers and reduces the drying time.

DELUXE 15 machines are designed for easy maneuvering by one person. They have large 10" diameter rear wheels and front swivel casters. The machine is 21" wide x 28" long x 35" high and weighs just 80 pounds.

The **DELUXE 15** is built with a hinged tank that provides easy access to internal components for servicing.

GROUNDING INSTRUCTIONS

This machine must be grounded. If it should malfunction or break down, grounding provides a path of least resistance for electric current to reduce the risk of electric shock. This machine is equipped with a cord having an equipment-grounding conductor and grounding plug. The plug must be inserted into an appropriate outlet that is properly installed and grounded in accordance with all local codes and ordinances.

WARNING - Improper connection of the equipment-grounding conductor can result in a risk of electric shock. Check with a qualified electrician or service person if you are in doubt as to whether the outlet is properly grounded. Do not modify the plug provided with the appliance - if it will not fit the outlet, have a proper outlet installed by a qualified electrician.

This machine is for use on a nominal 120-volt circuit, and has a grounded plug that looks like the plug illustrated in figure A. A temporary adapter that looks like the adapter illustrated in figures B and C may be used to connect this plug to a 2-pole receptacle as shown in figure B if a properly grounded outlet is not available. The temporary adapter should be used only until a properly grounded outlet (figure A) can be installed by a qualified electrician. The green colored rigid ear, lug, or the like extending from the adapter must be connected to a permanent ground such as a properly grounded outlet box cover. Whenever the adapter is used, it must be held in place by a metal screw.

NOTE: In Canada, the use of a temporary adapter is not permitted by the Canadian Electrical Code

EXTENSION CORDS

Use only three-wire 14/3 or larger gauge approved extension cords that have three-prong grounding type plugs and three-pole receptacles that accept the appliance's plug. Replace or repair any damaged cords or plugs.

When servicing, refer to authorized person only. Use only identical replacement parts.

